

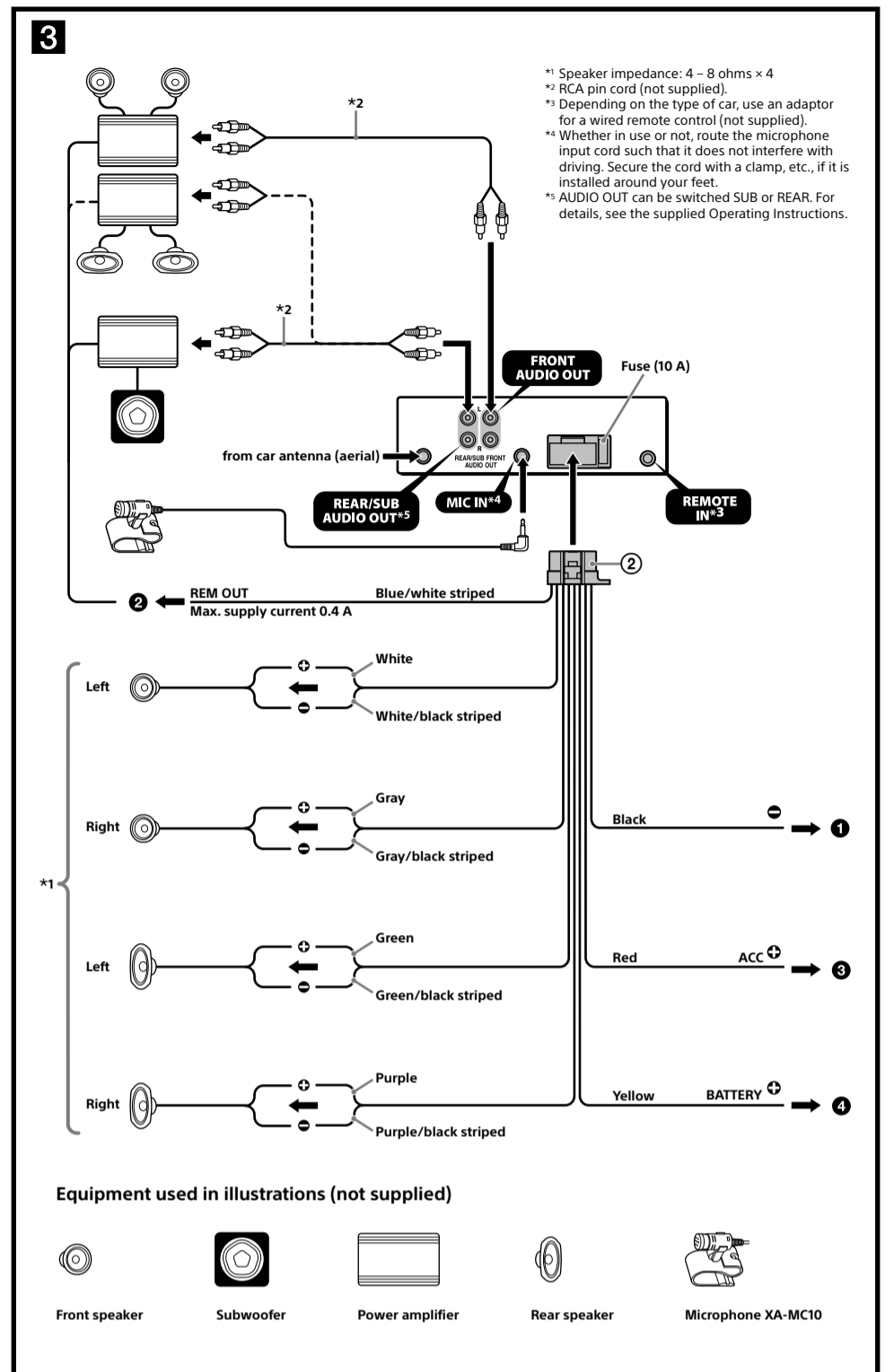
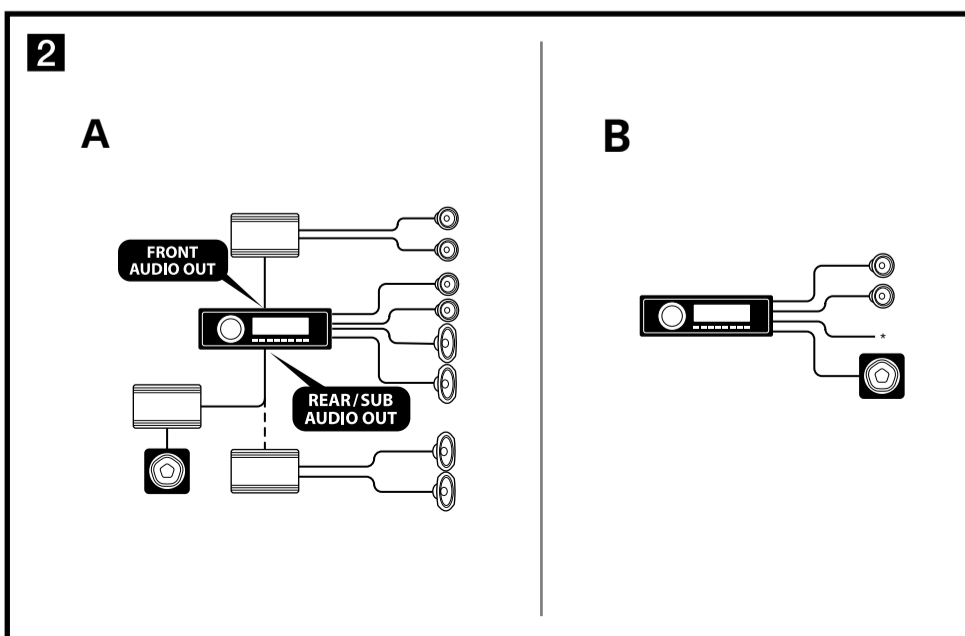
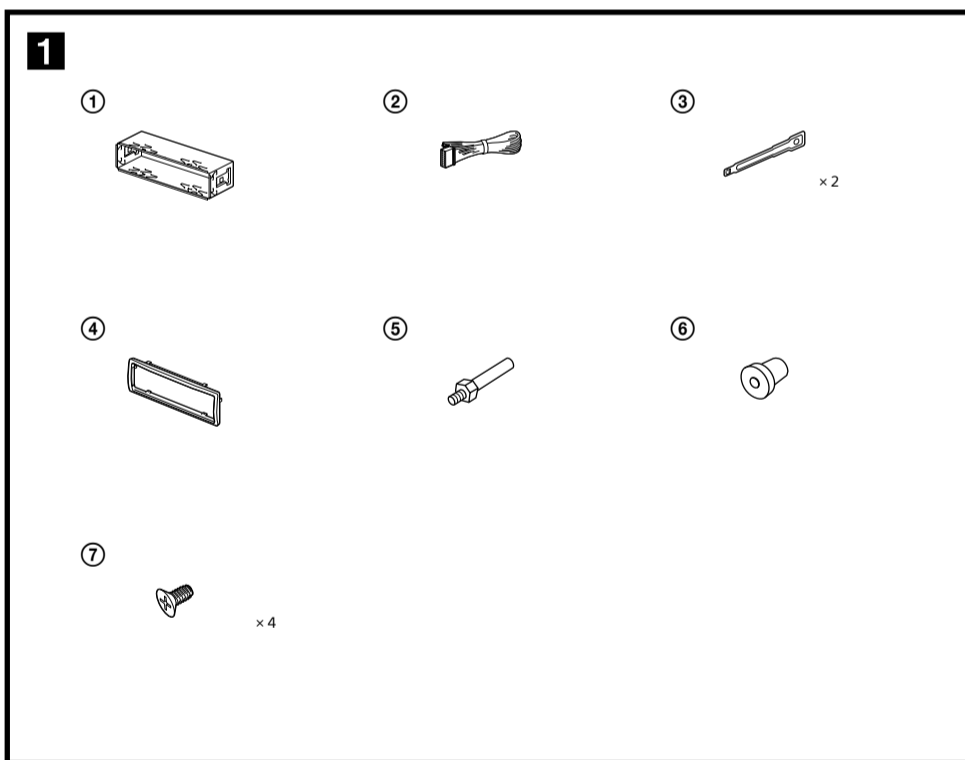
Bluetooth®
Audio System

Installation/Connections GB



©2014 Sony Corporation Printed in Thailand

MEX-N4050BT



Cautions

Be sure to install this unit in the dashboard of the car as the rear side of the unit becomes hot during use.

- This unit is designed for negative ground (earth) 12 V DC operation only.
- Do not get the leads under a screw, or caught in moving parts (e.g. seat railing).
- Before making connections, turn the car ignition off to avoid short circuits.
- Connect the yellow and red power input leads only after all other leads have been connected.
- Run all ground (earth) leads to a common ground (earth) point.
- Be sure to insulate any loose unconnected leads with electrical tape for safety.

Notes on the power supply lead (yellow)

- When connecting this unit in combination with other stereo components, the connected car circuit's rating must be higher than the sum of each component's fuse.
- When no car circuits are rated high enough, connect the unit directly to the battery.

Parts list (1)

- The numbers in the list are keyed to those in the instructions.
- The bracket (1) and the protection collar (4) are attached to the unit before shipping. Before mounting the unit, use the release keys (3) to remove the bracket (1) from the unit. For details, see "Removing the protection collar and the bracket (4)" on the reverse side of the sheet.
- Keep the release keys (3) for future use as they are also necessary if you remove the unit from your car.

Caution

Handle the bracket (1) carefully to avoid injuring your fingers.

Connection example (2)

Subwoofer Easy Connection (2-B)
 You can use a subwoofer without a power amplifier when it is connected to a rear speaker cord.

* Do not connect a speaker in this connection.

Notes

- Be sure to connect the ground (earth) lead before connecting the amplifier (2-A).
- The alarm will only sound if the built-in amplifier is used (2-A).
- Be sure to connect a 4 - 8 ohm subwoofer. Do not connect a speaker to the other rear speaker cord (2-B).

Connection diagram (3)

- To a metal surface of the car**
 First connect the black ground (earth) lead, then connect the yellow, and red power supply leads.
- To the power antenna (aerial) control lead or power supply lead of antenna (aerial) booster**
Notes
 - It is not necessary to connect this lead if there is no power antenna (aerial) or antenna (aerial) booster, or with a manually-operated telescopic antenna (aerial).
 - When your car has a built-in FM/AM antenna (aerial) in the rear/side glass, see "Notes on the control and power supply leads."**To AMP REMOTE IN of an optional power amplifier**
 This connection is only for amplifiers and a power antenna (aerial). Connecting any other system may damage the unit.
- To the +12 V power terminal which is energized in the accessory position of the ignition switch**
Notes
 - If there is no accessory position, connect to the +12 V power (battery) terminal which is energized at all times. Be sure to connect the black ground (earth) lead to a metal surface of the car first.
 - When your car has a built-in FM/AM antenna (aerial) in the rear/side glass, see "Notes on the control and power supply leads."**4 To the +12 V power terminal which is energized at all times**
 Be sure to connect the black ground (earth) lead to a metal surface of the car first.

Notes on the control and power supply leads

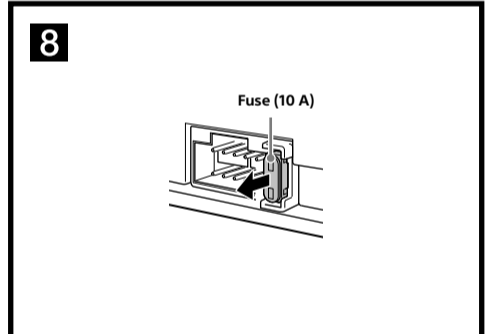
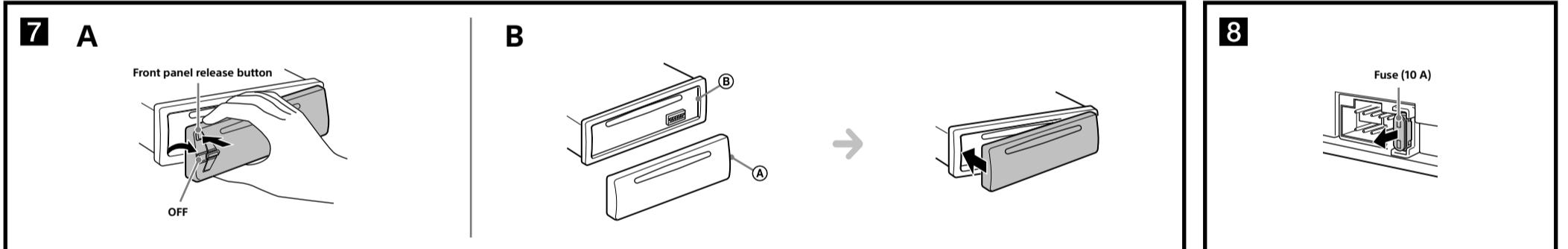
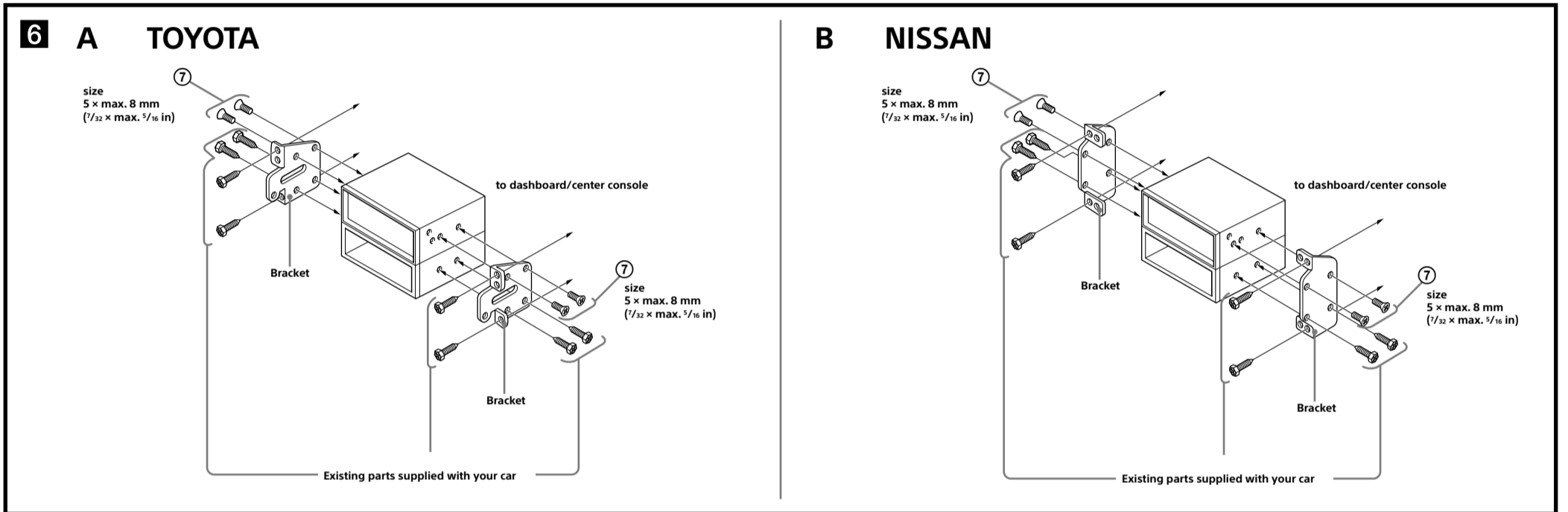
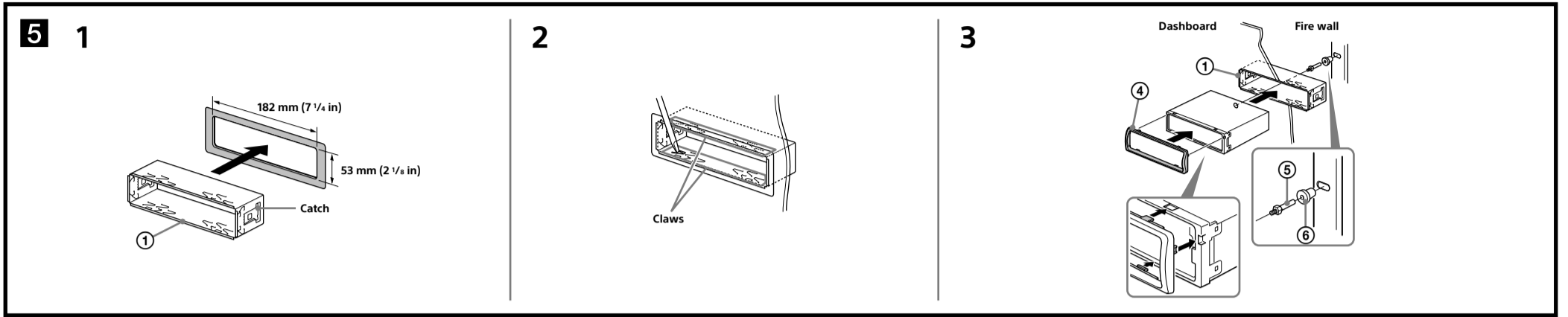
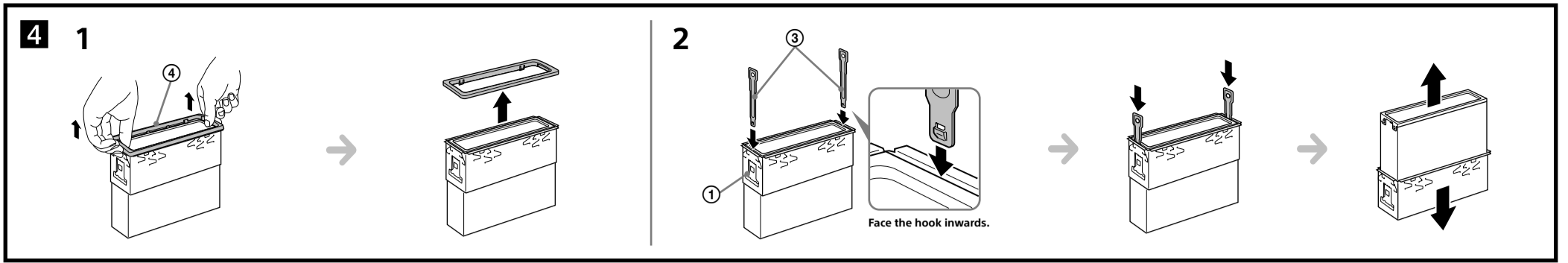
- REM OUT lead (blue/white striped) supplies +12 V DC when you turn on the unit.
- When your car has built-in FM/AM antenna (aerial) in the rear/side glass, connect REM OUT lead (blue/white striped) or the accessory power supply lead (red) to the power terminal of the existing antenna (aerial) booster. For details, consult your dealer.
- A power antenna (aerial) without a relay box cannot be used with this unit.

Memory hold connection

When the yellow power input lead is connected, power will always be supplied to the memory circuit even when the ignition switch is turned off.

Notes on speaker connection

- Before connecting the speakers, turn the unit off.
- Use speakers with an impedance of 4 to 8 ohms, and with adequate power handling capacities to avoid its damage.
- Do not connect the speaker terminals to the car chassis, or connect the terminals of the right speakers with those of the left speaker.
- Do not connect the ground (earth) lead of this unit to the negative (-) terminal of the speaker.
- Do not attempt to connect the speakers in parallel.
- Connect only passive speakers. Connecting active speakers (with built-in amplifiers) to the speaker terminals may damage the unit.
- To avoid a malfunction, do not use the built-in speaker leads installed in your car if the unit shares a common negative (-) lead for the right and left speakers.
- Do not connect the unit's speaker leads to each other.



Precautions

- Choose the installation location carefully so that the unit will not interfere with normal driving operations.
- Avoid installing the unit in areas subject to dust, dirt, excessive vibration, or high temperatures, such as in direct sunlight or near heater ducts.
- Use only the supplied mounting hardware for a safe and secure installation.

Mounting angle adjustment

Adjust the mounting angle to less than 45°.

Removing the protection collar and the bracket (4)

Before installing the unit, remove the protection collar (4) and the bracket (1) from the unit.

- 1 Remove the protection collar (4).**
Pinch both edges of the protection collar (4), then pull it out.
- 2 Remove the bracket (1).**
 - 1 Insert both release keys (3) together between the unit and the bracket (1) until they click.
 - 2 Pull down the bracket (1), then pull up the unit to separate.

Mounting example (5)

Installation in the dashboard

- Notes**
- Before installing, make sure that the catches on both sides of the bracket (1) are bent inwards 2 mm (1/16 in). If the catches are straight or bent outwards, the unit will not be installed securely and may spring out (5-1).
 - Bend these claws outward for a tight fit, if necessary (5-2).
 - Make sure that the 4 catches on the protection collar (4) are properly engaged in the slots of the unit (5-3).

Mounting the unit in a Japanese car (6)

You may not be able to install this unit in some makes of Japanese cars. In such a case, consult your Sony dealer.

Note
To prevent malfunction, install only with the supplied screws (7).

How to detach and attach the front panel (7)

Before installing the unit, detach the front panel.

7-A To detach

Before detaching the front panel, be sure to press and hold OFF. Press the front panel release button, and pull it off towards you.

7-B To attach

Engage part (A) of the front panel with part (B) of the unit, as illustrated, and push the left side into position until it clicks.

Warning if your car's ignition has no ACC position

Be sure to set the Auto Off function. For details, see the supplied Operating Instructions. The unit will shut off completely and automatically in the set time after the unit is turned off, which prevents battery drain. If you do not set the Auto Off function, press and hold OFF until the display disappears each time you turn the ignition off.

Fuse replacement (8)

When replacing the fuse, be sure to use one matching the amperage rating stated on the original fuse. If the fuse blows, check the power connection and replace the fuse. If the fuse blows again after replacement, there may be an internal malfunction. In such a case, consult your nearest Sony dealer.

Notes on the tuning step

- For how to set the tuning step, see the supplied Operating Instructions.
- If replacing the car battery or changing the connections, the tuning step setting will be erased.