

FM/AM Compact Disc Player

Installation/Connections

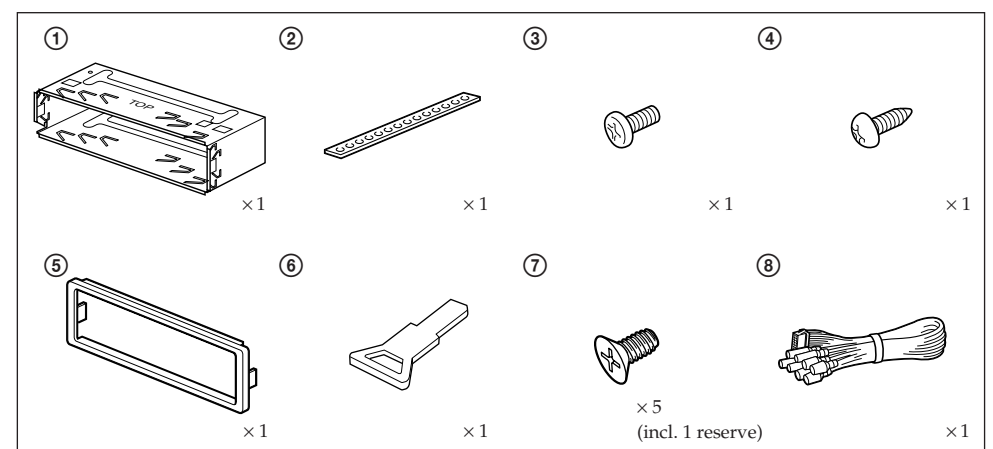


CDX-C510

Sony Corporation © 1996 Printed in Japan

Parts for Installation and Connections

The numbers in the list are keyed to those in the instructions.



The release key ⑥ is used for dismounting the unit. See the operating instructions manual for details.

Installation

Precautions

- Do not tamper with the four holes on the upper surface of the unit. They are for tuner adjustments to be done only by service technicians.
- Choose the installation location carefully so that the unit will not hamper the driver during driving.
- Avoid installing the unit where it would be subject to high temperatures, such as from direct sunlight or hot air from the heater, or where it would be subject to dust, dirt or excessive vibration.
- Use only the supplied mounting hardware for a safe and secure installation.

Mounting angle adjustment

Adjust the mounting angle to less than 20°.

How to Detach and Attach the Front Panel

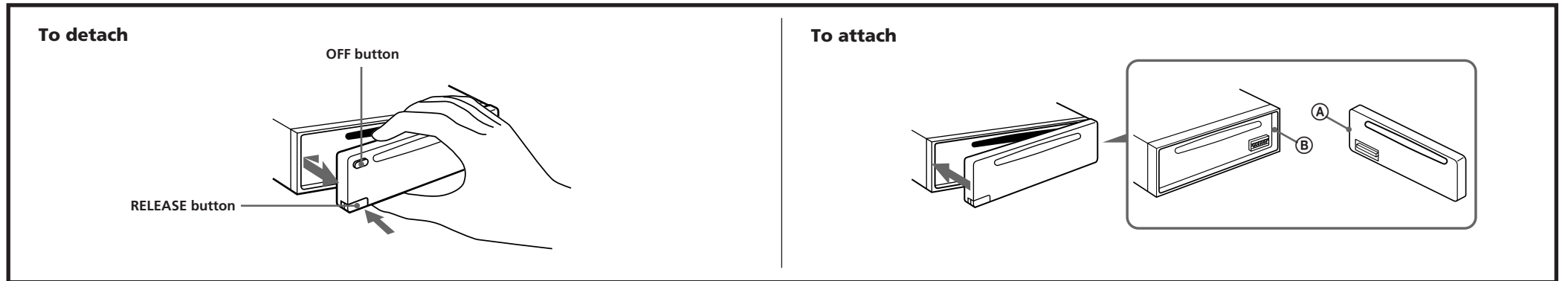
Before installing the unit, detach the front panel.

To detach

Before detaching the front panel, be sure to press the OFF button to turn the unit. Then press the RELEASE button, slide the front panel a little to the left, and pull it off toward you.

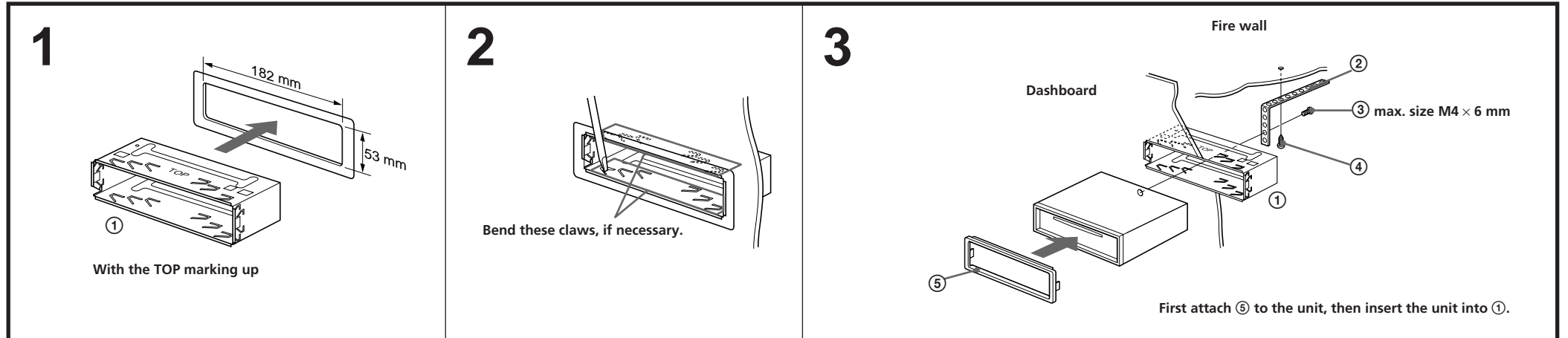
To attach

Align the parts (A) and (B), and push the front panel until it clicks.



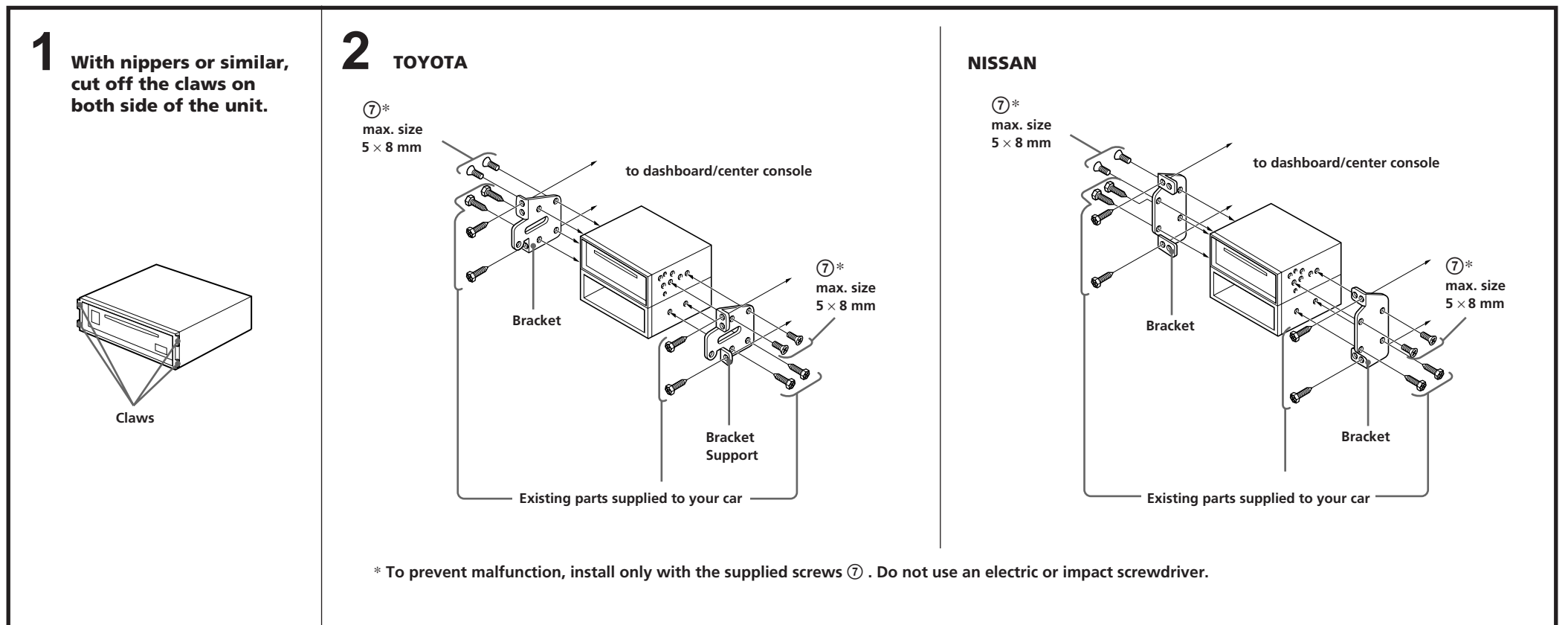
Mounting Example

Installation in the dashboard



Mounting the Unit in a Japanese Car

You may not be able to install this unit in some makes of Japanese cars. In such a case, consult your Sony dealer.



Connections

Caution

- This unit is designed for negative ground 12 V DC operation only.
- Before making connections, disconnect the ground terminal of the car battery to avoid short circuits.
- Connect the **yellow** and **red** power input leads only after all other leads have been connected.
- Be sure to connect the red power input lead to the positive 12 V power terminal which is energized when the ignition key is in the accessory position.
- **Run all ground wires to a common ground point.**
- The use of optional instruments with this product will increase eye hazard.

If Your Car has No Accessory Position on the Ignition Key Switch

— POWER SELECT Switch

The illumination on the front panel is factory-set to be turned on even when the unit is not being played. However, this setting may cause some car battery wear if **your car has no accessory position on the ignition key switch**. To avoid this battery wear, **set the POWER SELECT switch located on the bottom of the unit to the ② position, then press the reset button**. The illumination is reset to stay off while the unit is not being played.

Note

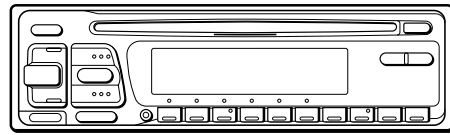
The caution alarm for the front panel is not activated when the POWER SELECT switch is set to the ② position.

When a Equalizer or DSP (Digital Signal Processor) etc. is Connected

— LINE OUT/IN SELECT Switch

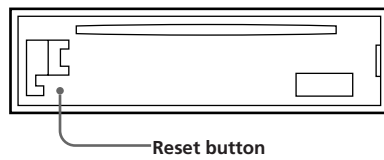
Set the LINE OUT/IN SELECT switch, which is on the underside of the unit, to position ②, so that the LINE OUT/LINE IN (EQ IN) terminal will function as LINE IN (EQ IN) terminal.

Change the position with a jeweler's screwdriver, etc.



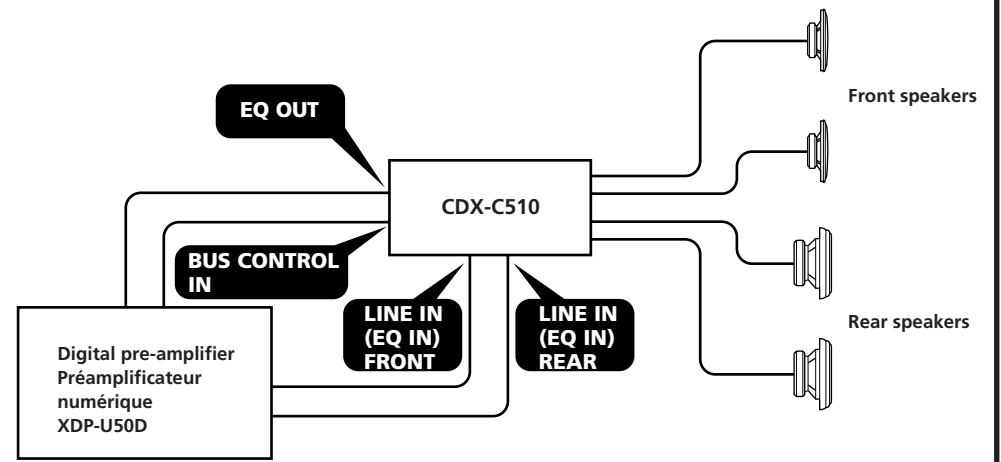
Reset Button

When the installation and connections are over, be sure to press the reset button with a ball-point pen etc.

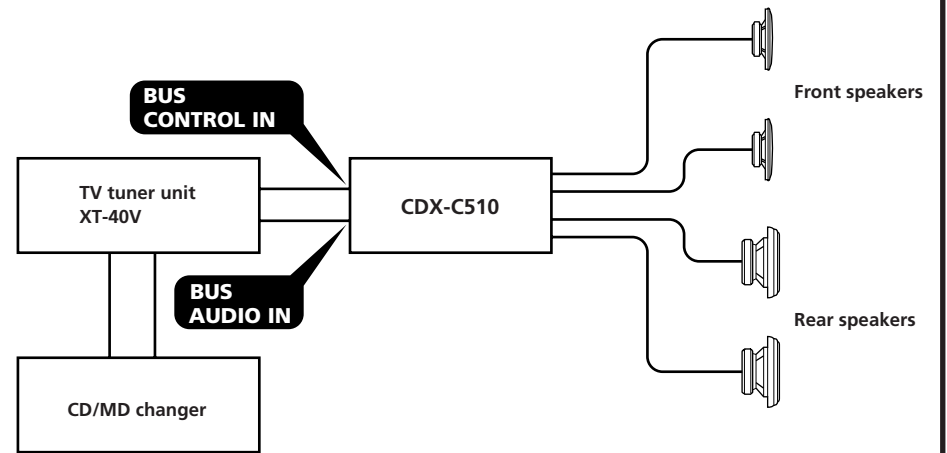


Connection Diagram

Example 1 Set the LINE OUT/IN SELECT switch to position ②

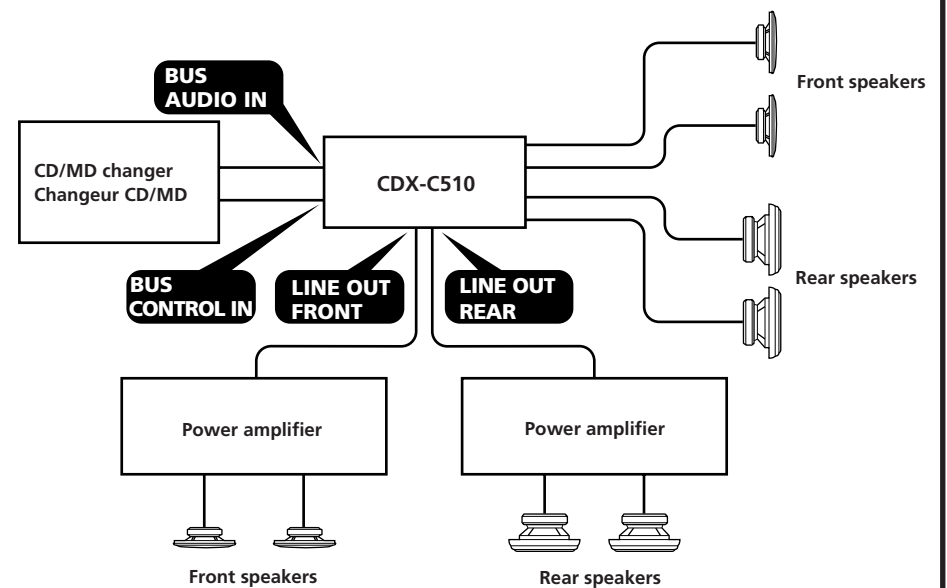


Example 2 Set the LINE OUT/IN SELECT switch to position ①

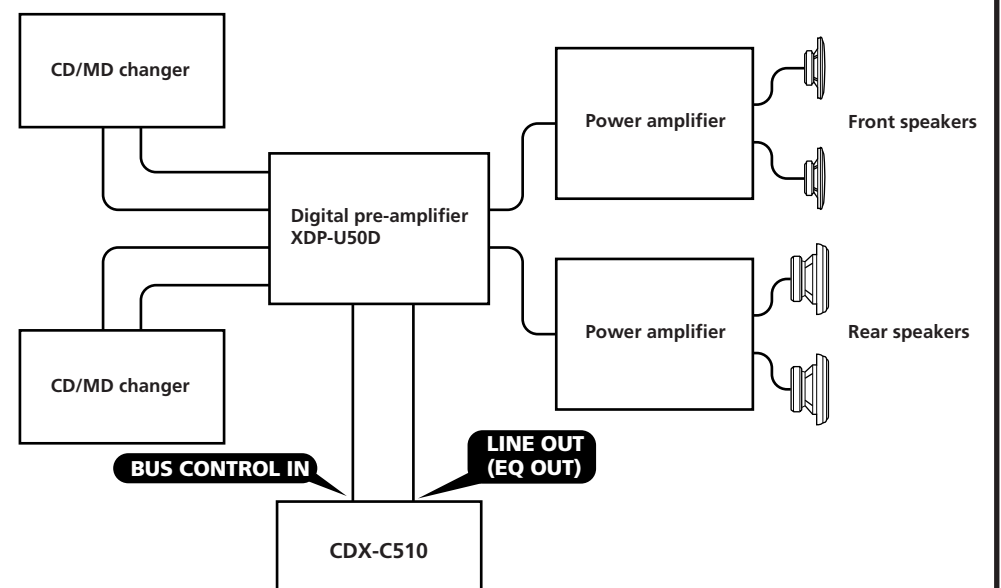


For connecting two or more changers, the source selector XA-U20 (optional) and the BUS cable RC-61 (1 m) or RC-62 (2 m) (optional) are necessary.

Example 3 Set the LINE OUT/IN SELECT switch to position ①



Example 4 Set the LINE OUT/IN SELECT switch to position ②



For details about the connection, refer to the operating instructions of XDP-U50D (not supplied).

Connection Example

