

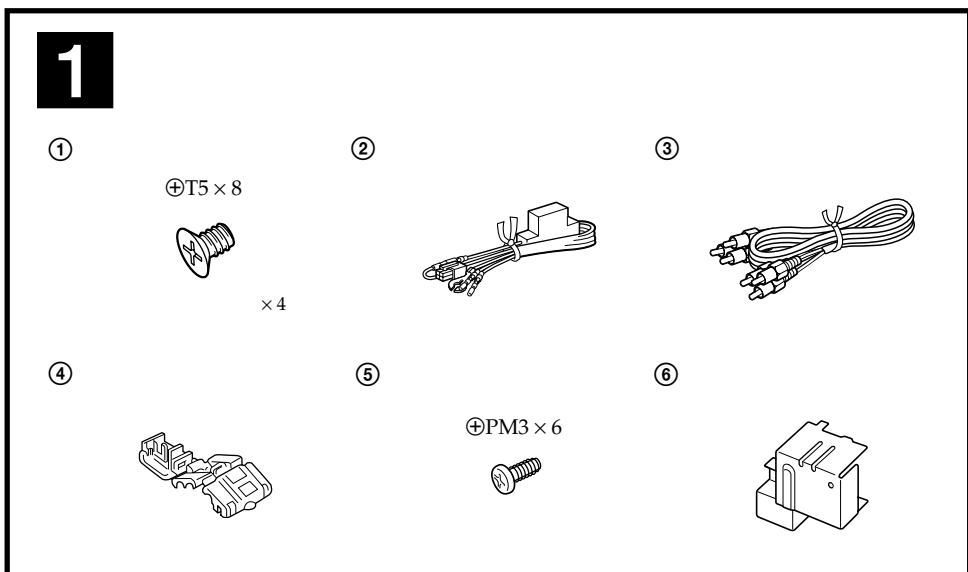
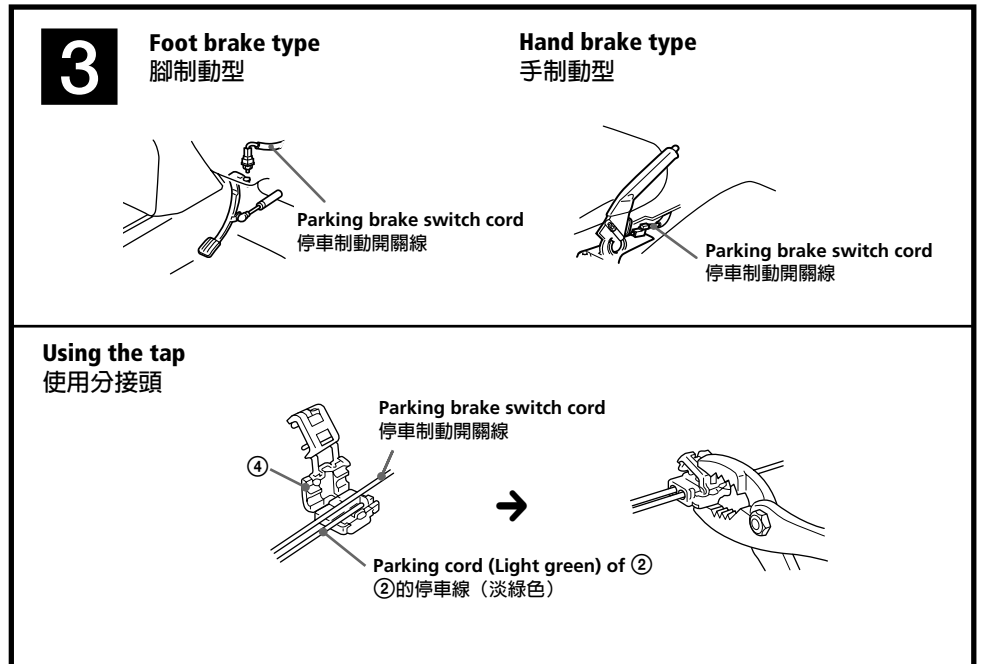
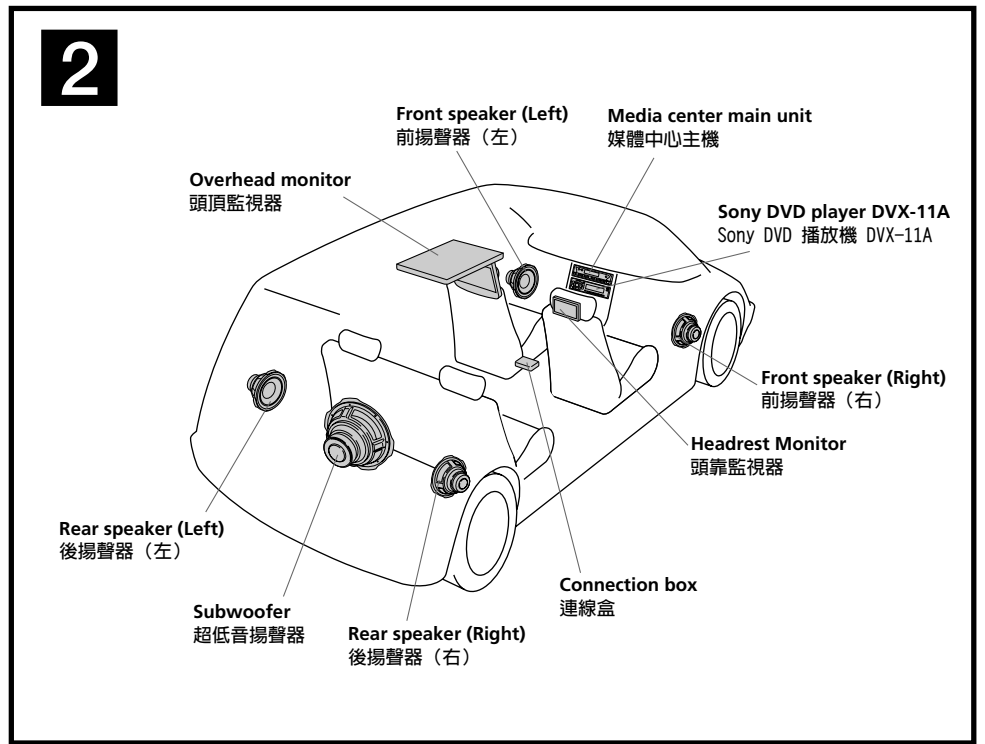
# Mobile DVD Player

## Installation/Connections

安裝/線路連接

DVX-11A

© 2003 Sony Corporation Printed in Japan



### Cautions

- This unit is designed for negative ground 12 V DC operation only.
- Do not pinch wires under screws, or in moving parts (e.g., seat railing).
- Before making connections, turn the car ignition off to avoid short circuits.
- Connect the **yellow** and **red** power input leads only after all other leads have been connected.
- **Run all ground wires to a common ground point.**
- Be sure to insulate any loose unconnected wires with electrical tape for safety.
- The use of optical instruments with this product will increase the risk of eye injury.
- Control adjustments and procedures other than those specified herein may result in hazardous radiation exposure.
- For your safety, the monitor connected to the FRONT VIDEO OUT can only be viewed when the car is stopped and the parking brake applied.

### Notes on the power supply cord (yellow)

- When connecting this unit in combination with other stereo components, the connected car circuit's rating must be higher than the sum of each component's fuse.
- When no car circuits are rated high enough, connect the unit directly to the battery.

### Parts list (1)

The numbers in the list are keyed to those in the instructions.

### Installation diagram (2)

Example:  
Dashboard installation.

**Note**  
All the equipment other than the Sony DVD player DVX-11A and the remote control sensor is not supplied.

### Connecting the parking brake cord (3)

Be sure to connect the parking cord (Light green) of ② to the parking brake switch cord. The mounting position of the parking brake switch cord depends on your car. Consult your car dealer or your nearest Sony dealer for further details.

### Using the tap

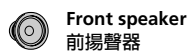
Attach the tap ④ to the end of the parking cord (Light green) of ② and the parking brake switch cord.

### Note

If the parking brake switch cord is too thin, connect the parking cord (Light green) of ② to the parking brake switch cord directly without using the tap ④.

### Connection diagram (4)

- ① To a metal surface of the car  
First connect the black ground lead, then connect the yellow and red power input leads.
- ② To the +12 V power terminal which is energized in the accessory position of the ignition key switch  
**Note**  
If there is no accessory position, connect to the +12 V power (battery) terminal which is energized at all times.  
Be sure to connect the black ground lead to a metal surface of the car first.
- ③ To the +12 V power terminal which is energized at all times  
Be sure to connect the black ground lead to a metal surface of the car first.
- ④ To the parking brake switch cord
- ⑤ To a digital amplifier or audio device  
Connect the optical cable RC-97/98 (not supplied), etc., to a digital amplifier or audio device equipped with a Dolby digital decoder.



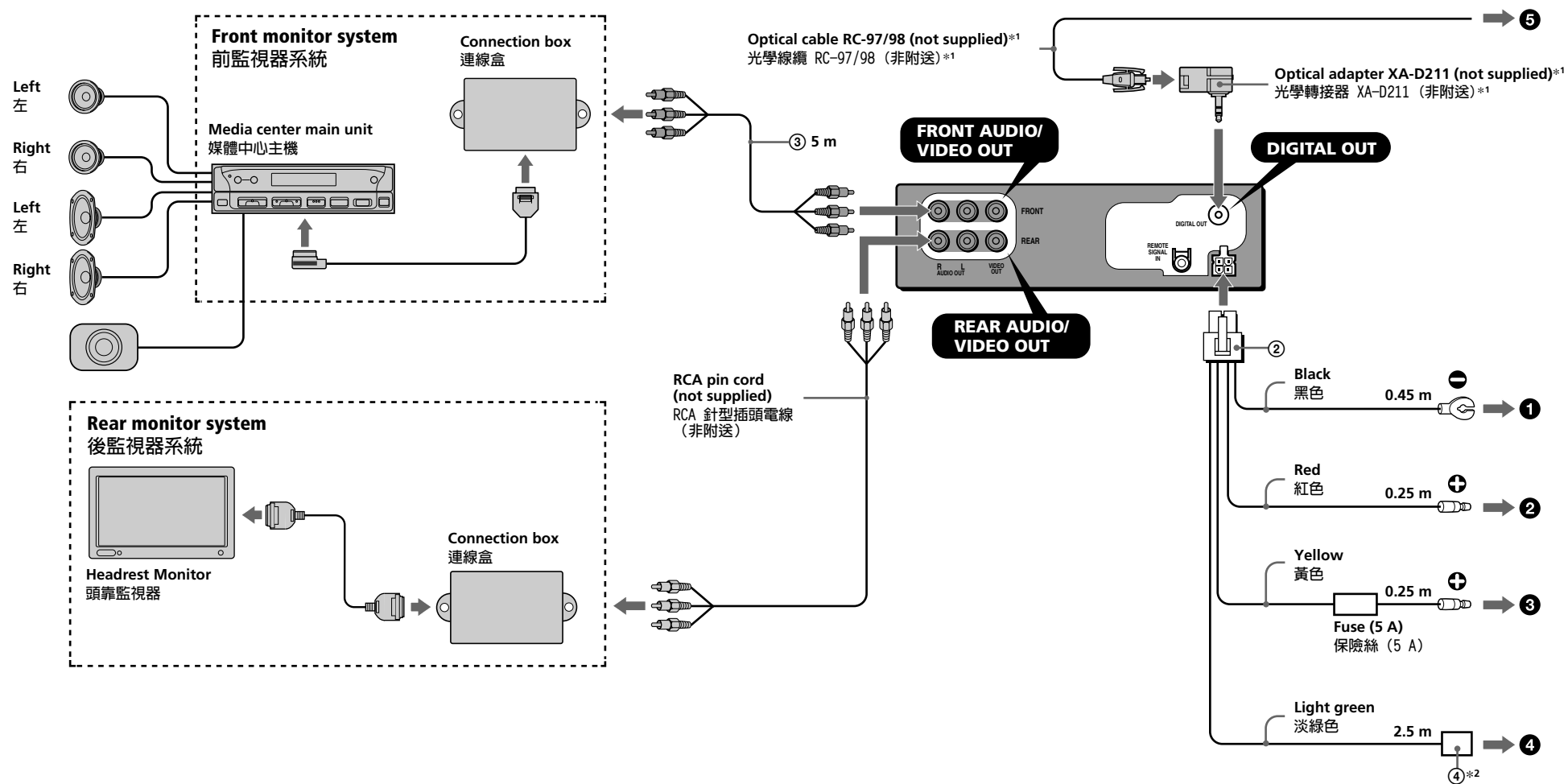
Front speaker  
前揚聲器



Rear speaker  
後揚聲器



Subwoofer  
超低音揚聲器



\*1 For details on connecting the optical cable and the optical adapter, see the "When making a digital connection (6)" on the reverse side.

\*2 For details on connecting to the parking brake switch cord, and attaching the tap (4), see "Connecting the parking brake cord (3)."

\*1 有關連接光學線纜和光學轉接器的詳情，請參閱反面的“進行數位連接時 (6)”。

\*2 有關連接至停車制動開關線，以及安裝分接頭 (4) 的詳情，請參閱“連接停車制動線 (3)”。

## 注意事項

- 本機只能使用負極接地 12 V 直流電源。
- 不要使導線夾在螺栓下，或繞掛在移動部件上（如，座椅扶手上）。
- 進行連接之前，請先關閉汽車的發動機，以避免短路。
- 黃色和紅色電源輸入導線必須在所有其它導線都連接完畢以後才連接。
- 將所有接地線都連接到同一接地點。
- 為了安全，請確認把鬆散的沒有連接的導線用電器膠帶進行絕緣。
- 本產品使用的光學裝置將增加對眼睛的傷害。
- 進行本手冊中未指定的其它控制調整和操作可能導致輻射暴露的危險。
- 為了您的安全，只有在汽車停穩並使用了停車制動時，才能觀看連接到 FRONT VIDEO OUT 的監視器。
- 務必將 (2) 的停車線（淡綠色）連接到汽車的停車制動開關線。

### 電源導線須知 (黃色)

- 將本機与其它立體聲裝置相連接時，所連接的汽車電路額定值必須大於每個裝置保險絲容量的總和。
- 當汽車電路額定值不夠大時，請將本機直接與電池相連接。

## 零件一覽表 (1)

清單中的數字與說明書中的數字是一致的。

## 安裝圖示 (2)

例如：  
安裝在儀表板裡面。

註

除 Sony DVD 播放機 DVX-11A 和遙控感應器外，所有其它設備均不提供。

## 連接停車制動線 (3)

務必將 (2) 的煞車線（淡綠色）連接到停車制動開關線。停車制動開關線的安裝位置根據汽車的不同而定。有關詳情，請諮詢您的汽車銷售商或就近的 Sony 代理商。

### 使用分接頭

將分接頭 (4) 連接在 (2) 的停車線（淡綠色）和停車制動開關線的末端。

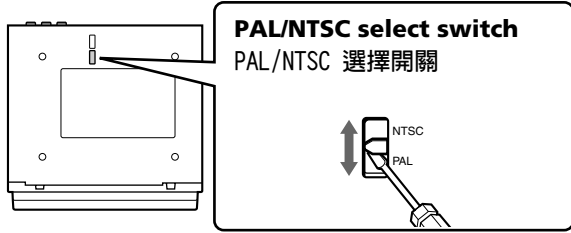
註

如果停車制動開關線太細，請直接將 (2) 的煞車線（淡綠色）連接到停車制動開關線而不使用分接頭 (4)。

## 線路連接圖 (4)

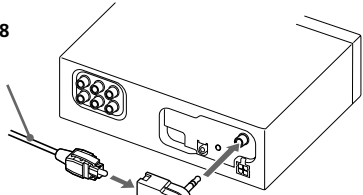
- 1 連接至汽車的金屬表面  
首先連接黑色接地導線，然後再連接黃色和紅色電源輸入導線。
- 2 連接至在點火鑰匙開關的附件位置上通電的 +12 V 電源端子  
註  
若沒有附件位置，則請連接至始終通電的 +12 V 電源（電池）端子。  
務必首先將黑色接地導線與汽車的金屬表面連接。
- 3 連接至始終通電的 +12 V 電源端子  
務必首先將黑色接地導線與汽車的金屬表面連接。
- 4 連接至停車制動開關線
- 5 連接至數位放大器或音頻設備  
將光學線纜 RC-97/98（非附送）連接至帶有杜比數位解碼器的數位放大器或音頻設備。

5

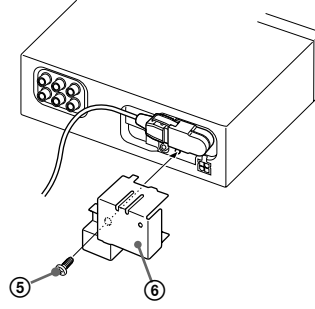


6

Optical cable RC-97/98  
(not supplied)  
光學線纜 RC-97/98  
(非附送)



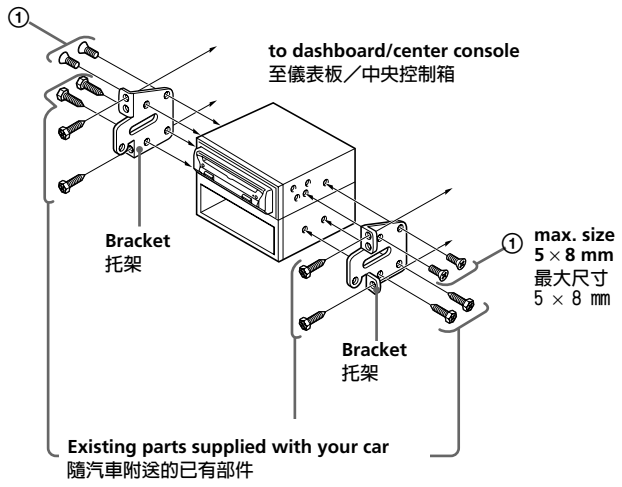
Optical adapter XA-D211  
(not supplied)  
光學轉接器 XA-D211  
(非附送)



7

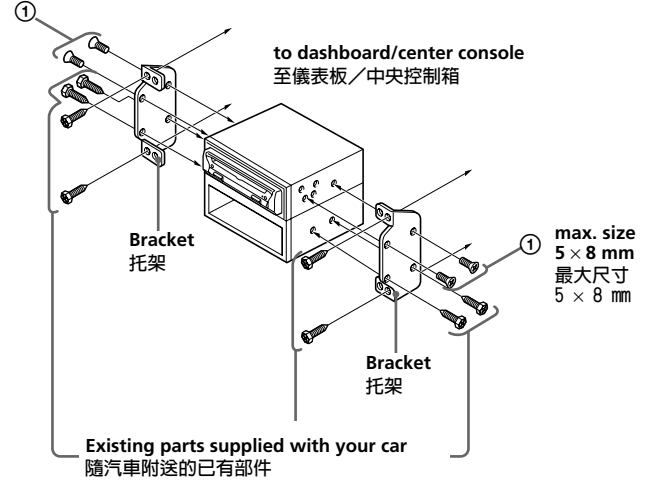
TOYOTA

max. size  
5 × 8 mm  
最大尺寸  
5 × 8 mm

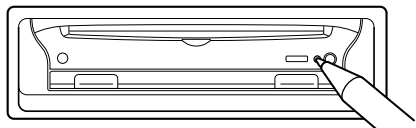


NISSAN

max. size  
5 × 8 mm  
最大尺寸  
5 × 8 mm



8



## Precautions

- Choose the installation location carefully so that the unit will not interfere with normal driving operations.
- Avoid installing the unit in areas subject to dust, dirt, excessive vibration, or high temperatures, such as in direct sunlight or near heater ducts.
- Use only the supplied mounting hardware for a safe and secure installation.

### Mounting angle adjustment

Adjust the mounting angle to less than 20°.

## PAL/NTSC select switch (5)

Before installing the unit, set the PAL/NTSC select switch on the bottom of the unit to “PAL” or “NTSC” according to the color system of your country.

## When making a digital connection (6)

When connecting to a digital amplifier or audio device equipped with a Dolby digital decoder, connect the optical cable to the optical adaptor first, then connect the optical adapter to the DIGITAL OUT on the back panel.

**Notes**

- When you wish to disconnect the optical cable, simply push in on both sides of the connector.*
- Be sure to keep the protective cap in a safe place for future use.*
- Do not bend the optical cable too much. If it is bent in an arc of less than 10 cm in diameter, sound may not be reproduced.*
- Be sure to use an optical cable (not supplied) and an optical adapter (not supplied) designed for Sony car audio systems.*
- Make sure that the optical cable is securely plunged to the optical adapter when making connection.*
- Make sure the optical cable does not get compressed or constricted in any way by surrounding objects.*
- Never let the coupler parts of the connectors get scratched or become contaminated with dirt.*

## Mounting example (7)

### Installation in a Japanese car

You may not be able to install this unit in some makes of Japanese cars. In such a case, consult your Sony dealer.

**Note**

*To prevent malfunction, install only with the supplied screws ①.*

## Warning when installing in a car without ACC (accessory) position on the ignition key switch

**Be sure to press and hold Ⓔ on the unit until the key illuminations in blue go off after turning off the engine.**

When you press Ⓔ only momentarily, the unit does not turn off and this causes battery wear.

## Reset button (8)

When the installation and connections are completed, be sure to press the reset button with a ballpoint pen, etc., to reset the unit.

## 使用前注意事項

- 請仔細選擇安裝位置，以使本機不妨礙正常的駕駛操作。
- 避免將本機安裝在多塵、髒亂、極易受震動的地方，或者高溫之處，如陽光直射處或暖氣管道附近。
- 爲了安裝安全和牢固，安裝時請只使用附送的零件。

#### 安裝角度的調整

請在 20 度以內調整安裝角度。

## PAL/NTSC 選擇開關 (5)

安裝本機之前，根據貴國或地區的彩色制式而定，請將本機後面的 PAL/NTSC 選擇開關設定到 “PAL” 或 “NTSC” 。

## 進行數位連接時 (6)

當連接至帶有杜比數位解碼器的數位放大器或音頻設備時，請先將光學線纜連接到光學轉接器，然後將光學轉接器連接到後面板上的 DIGITAL OUT。

**註**

- 要斷開光學線纜的連接時，只要按一下連接器的兩側。
- 務必將保護帽放在安全之處以備日後使用。
- 請勿過度彎曲光學線纜。如果將其彎曲成直徑小於 10 cm 的圓弧形，可能無法再現聲音。
- 務必使用專用於 Sony 音頻系統的光學線纜（非附送）和光學轉接器（非附送）。
- 進行連接時，請確認光學線纜被牢固地插入光學轉接器中。
- 確認光學線纜未被周圍的物體擠壓。
- 切勿刮傷連接器的接頭部分或使之積滿灰塵。

## 安裝示例 (7)

### 安裝在日本產汽車上

有的日本產汽車不能安裝本機。在這種情形下，請您向當地的 Sony 經銷商諮詢。

**註**

爲防止發生故障，安裝時只能使用附送的螺絲 ①。

## 安裝在點火鑰匙開關上沒有 ACC（附件）位置的汽車上時的警告

在關掉汽車發動機之後，務必按住本機上的 Ⓔ 不放，直至藍色的鍵照明熄滅。

如果只短暫地按一下 Ⓔ，將不會關閉本機從而浪費電池。

## 復原按鈕 (8)

當安裝和連接完畢後，務必用圓子筆等按壓復原按鈕，復原本機。