

Radio Cassette-Corder

Operating instructions/使用说明书



WM-GX780

©2003 Sony Corporation Printed in China

http://www.sony.net/

"WALKMAN" is a registered trademark of Sony Corporation to represent Headphone Stereo products.

WALKMAN is a trademark of Sony Corporation.

The validity of the CE marking is restricted to only those countries where it is legally enforced, mainly in the countries EEA (European Economic Area).

CE 标志的有效性，仅限于那些有法律限制的国家，主要在 EEA (欧洲经济区) 国家。

WARNING

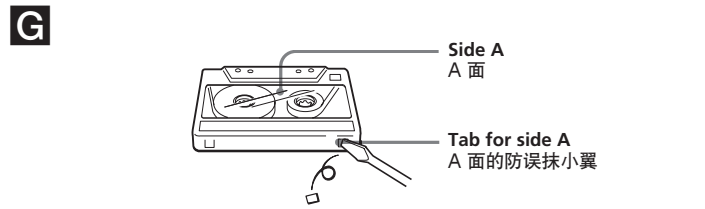
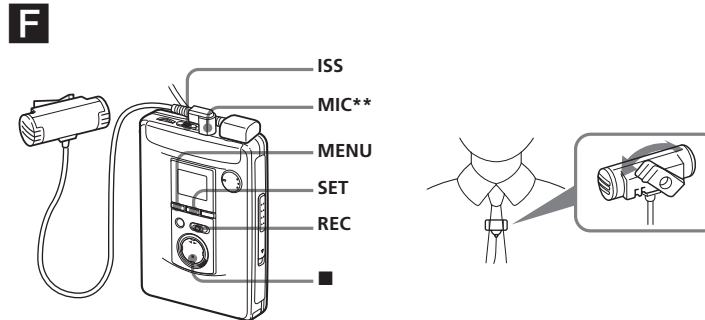
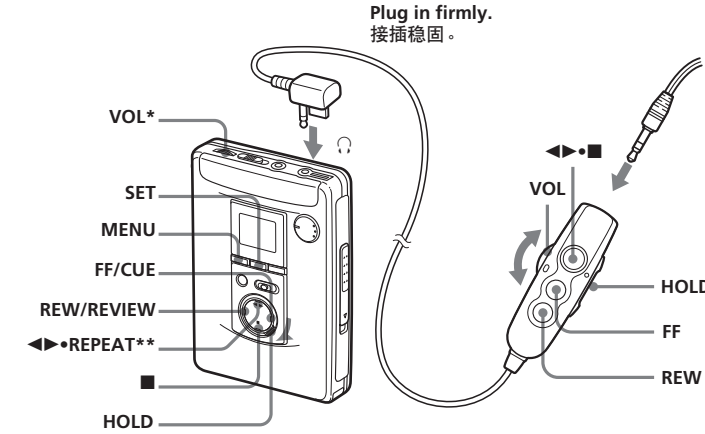
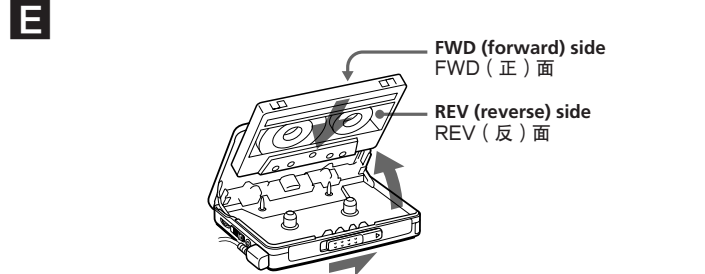
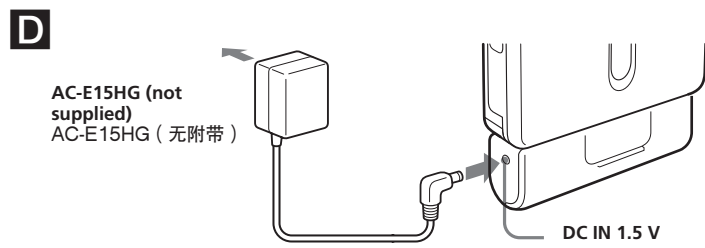
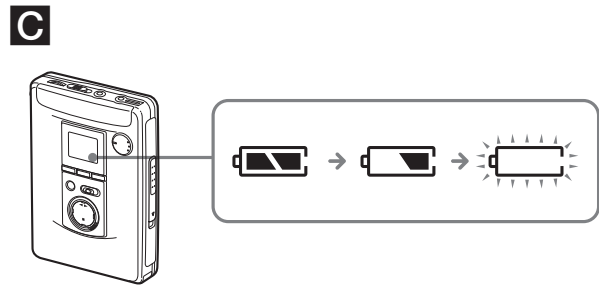
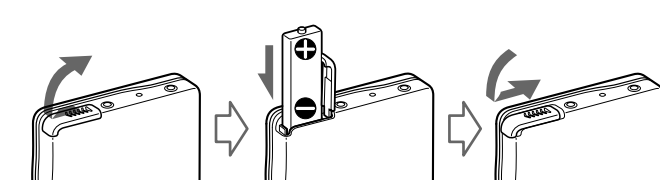
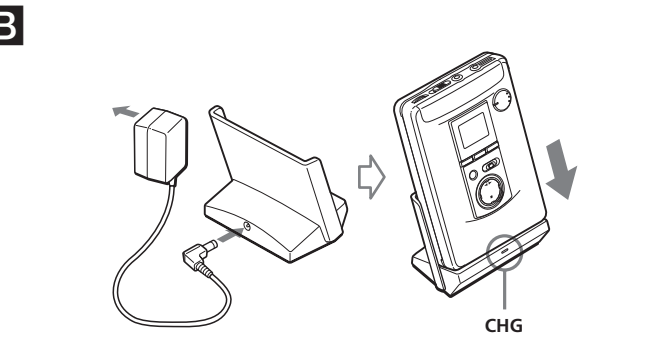
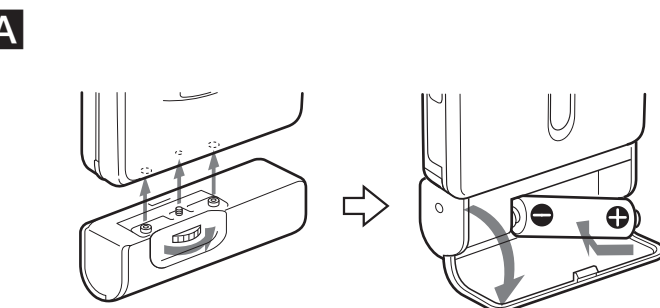
To prevent fire or shock hazard, do not expose the unit to rain or moisture.

Do not install the appliance in a confined space, such as a bookcase or built-in cabinet.

警告

为防火灾或触电危险，切勿让机器暴露于雨中或潮湿处。

别把机器安装在例如书橱或壁柜等密闭不通风的地方。



- * There is a tactile dot beside VOL on the main unit to show the direction to turn up the volume.
- ** The button or jack has a tactile dot.
- ** 在主机上 VOL 旁边有一个触感圆点，表示增大音量的方向。
- ** 按钮或插孔有触感圆点。

English

Note
Tapes recorded with setting to "2x" cannot be played properly on a cassette player/tape recorder without this function.

- To prevent fire, do not cover the ventilation of the apparatus with newspapers, table-cloths, curtains, etc. And don't place lighted candles on the apparatus.
- To prevent fire or shock hazard, do not place objects filled with liquids, such as vases, on the apparatus.
- Certain countries may regulate disposal of the battery used to power this product. Please consult with your local authority.

Preparations

Prepare a dry battery (not supplied) or the rechargeable battery (supplied).

Dry Battery A

Attach the supplied battery case, and then insert one R6 (size AA) battery with correct polarity.

Note
For maximum performance we recommend that you use a Sony alkaline battery.

Rechargeable Battery B

Charge the rechargeable battery before using it for the first time.

- Insert the supplied rechargeable battery NH-10WM into the rechargeable battery compartment with correct polarity.
- Connect the supplied AC power adaptor to the charging stand, plug in the AC power adaptor to the house current (mains).
- Place the main unit on the charging stand. The CHG lamp will light up. Full charging takes about 6 hours. The CHG lamp will go off when the battery is fully charged.

Note
Do not use the unit while charging. Remove the unit from the charging stand when using it.
- If you operate the unit while charging, the battery will not be charged.
- If you operate the unit while charging, it may cause malfunction.
- Do not place the unit on the charging stand without the rechargeable battery. Otherwise, it may cause malfunction.

When to replace/charge the battery C

Replace or charge the battery when " " flashes in the display.

Battery life* (Approx. hours)	
Sony alkaline LR6 (SG)**	
Tape playback	44
Radio reception	56
MIC recording	15
Radio recording	12

Rechargeable battery NH-10WM	
Tape playback	20
Radio reception	25
MIC recording	7
Radio recording	5

Sony alkaline LR6 (SG)** and Rechargeable NH-10WM	
Tape playback	64
Radio reception	81
MIC recording	22
Radio recording	17

* Measured value by the standard of JEITA (Japan Electronics and Information Technology Industries Association). (Using a Sony HF series cassette tape)
** When using a Sony LR6(SG) "STAMINA" alkaline dry battery (produced in Japan).

Notes
• The battery life may be shorter depending on the operating condition, the surrounding temperature and battery type.
• The AVLS setting (see "Using the Menu") will be cancelled when you replace the battery.

House Current D

You must purchase an AC power adaptor AC-E15HG to operate this unit using house current. Remove the rechargeable battery if inserted. Attach the battery case and connect the AC power adaptor AC-E15HG (not supplied) to the DC IN 1.5 V jack of the battery case and to the wall outlet. Do not use any other AC power adaptor. Specifications for AC-E15HG vary for each area. Check your local voltage and the polarity of the plug before purchasing.

Playing a Tape E

- Insert a cassette and if the HOLD function is on, slide the HOLD switch in the opposite direction of the arrow to unlock the controls.
- Press MENU repeatedly to set " " (the cursor in the display to REC/PB. Then press SET to select "2x" or none (normal speed) which is the same position as that used for recording. To playback commercially available music tape, etc., select normal (no indication).
- Press ◀▶•REPEAT on the main unit and adjust the volume with VOL. (On the remote control, press ▶(play)•■(stop).)

When adjusting the volume on the remote control
Set the VOL control on the main unit to around 6.
When adjusting the volume on the main unit
Set the VOL control on the remote control at maximum.

Operation on the remote control
To Press
Switch playback to the other side during playback
Stop playback ▶(play)•■(stop) once during playback

Other tape operations
To Press
Fast forward* FF/CUE (FF on the remote control) during stop
Rewind* REW/REVIEW (REW on the remote control) during stop
Search forward during playback (CUE) Press and hold FF/CUE (FF on the remote control) and release it at the point you want.
Search backward during playback (REVIEW) Press and hold REW/REVIEW (REW on the remote control) and release it at the point you want.

A-B Repeat stops automatically after repeating 50 times.
Do not use the A-B Repeat function with tapes longer than 90 minutes. If you do, the tape may be damaged.

Recording F

You can record radio programs from the built-in radio, or record with the supplied microphone. In either case, use a new or fully charged battery.

Note
If the record-protect tab is broken, you cannot record on that side.

- Insert a normal (TYPE I) tape.
To record on both sides
Insert the cassette with the side to be first recorded on as the FWD (forward) side*.
* Make sure that "FWD" is displayed. If not, press and hold ■ until "REV" changes to "FWD".
- Press ◀▶•REPEAT on the remote control, press ▶(play)•■(stop).

A-B Repeat
A-B Repeat plays back repeatedly any portion of the tape you specified. Specify by tagging the beginning (point A) and the end (point B) of the portion during playback.

Operation on the main unit
1 Press ◀▶•REPEAT for 2 seconds or more during playback to tag point A. "A" will flash in the display of the main unit.
2 Press ◀▶•REPEAT again to tag point B. "A-B" will flash and the tape will move rapidly to point A. Then "REP" appears in the display and the specified portion is played repeatedly.

Operation on the remote control
1 Press ◀▶•■ twice quickly during playback to tag point A.
2 Press ◀▶•■ once more to tag point B.
The tape will be rewound to point A. Then the specified portion is played repeatedly.

To stop the A-B Repeat playback
Press ◀▶•REPEAT on the main unit.
On the remote control, press ◀▶•■.
To reset A-B Repeat
When you want to change a specific portion, stop the A-B Repeat playback and tag point A and point B again.

To prevent a tape from being accidentally recorded over G
Break off the tabs from side A and/or B. To reuse the tape for recording, cover the tab hole with adhesive tape.

Note
• You cannot specify a repeat portion that includes both sides of the tape.
• You cannot specify a repeat portion shorter than 2 seconds.
• After repeated operation, the actual portion that is played back may shift somewhat from the exact portion specified with the tags due to tape slack.

Note
If the record-protect tab is broken, you cannot record on that side.

Recording G

Note
If the record-protect tab is broken, you cannot record on that side.

- Insert a normal (TYPE I) tape.
To record on both sides
Insert the cassette with the side to be first recorded on as the FWD (forward) side*.
* Make sure that "FWD" is displayed. If not, press and hold ■ until "REV" changes to "FWD".
- Press ◀▶•REPEAT on the remote control, press ▶(play)•■(stop).

A-B Repeat
A-B Repeat plays back repeatedly any portion of the tape you specified. Specify by tagging the beginning (point A) and the end (point B) of the portion during playback.

Operation on the main unit
1 Press ◀▶•REPEAT for 2 seconds or more during playback to tag point A. "A" will flash in the display of the main unit.
2 Press ◀▶•REPEAT again to tag point B. "A-B" will flash and the tape will move rapidly to point A. Then "REP" appears in the display and the specified portion is played repeatedly.

To stop the A-B Repeat playback
Press ◀▶•REPEAT on the main unit.
On the remote control, press ◀▶•■.
To reset A-B Repeat
When you want to change a specific portion, stop the A-B Repeat playback and tag point A and point B again.

To prevent a tape from being accidentally recorded over G
Break off the tabs from side A and/or B. To reuse the tape for recording, cover the tab hole with adhesive tape.

Note
• You cannot specify a repeat portion that includes both sides of the tape.
• You cannot specify a repeat portion shorter than 2 seconds.
• After repeated operation, the actual portion that is played back may shift somewhat from the exact portion specified with the tags due to tape slack.

Note
If the record-protect tab is broken, you cannot record on that side.

Recording H

Note
If the record-protect tab is broken, you cannot record on that side.

- Insert a normal (TYPE I) tape.
To record on both sides
Insert the cassette with the side to be first recorded on as the FWD (forward) side*.
* Make sure that "FWD" is displayed. If not, press and hold ■ until "REV" changes to "FWD".
- Press ◀▶•REPEAT on the remote control, press ▶(play)•■(stop).

A-B Repeat
A-B Repeat plays back repeatedly any portion of the tape you specified. Specify by tagging the beginning (point A) and the end (point B) of the portion during playback.

Operation on the main unit
1 Press ◀▶•REPEAT for 2 seconds or more during playback to tag point A. "A" will flash in the display of the main unit.
2 Press ◀▶•REPEAT again to tag point B. "A-B" will flash and the tape will move rapidly to point A. Then "REP" appears in the display and the specified portion is played repeatedly.

To stop the A-B Repeat playback
Press ◀▶•REPEAT on the main unit.
On the remote control, press ◀▶•■.
To reset A-B Repeat
When you want to change a specific portion, stop the A-B Repeat playback and tag point A and point B again.

To prevent a tape from being accidentally recorded over G
Break off the tabs from side A and/or B. To reuse the tape for recording, cover the tab hole with adhesive tape.

Note
• You cannot specify a repeat portion that includes both sides of the tape.
• You cannot specify a repeat portion shorter than 2 seconds.
• After repeated operation, the actual portion that is played back may shift somewhat from the exact portion specified with the tags due to tape slack.

Recording I

Note
If the record-protect tab is broken, you cannot record on that side.

- Insert a normal (TYPE I) tape.
To record on both sides
Insert the cassette with the side to be first recorded on as the FWD (forward) side*.
* Make sure that "FWD" is displayed. If not, press and hold ■ until "REV" changes to "FWD".
- Press ◀▶•REPEAT on the remote control, press ▶(play)•■(stop).

A-B Repeat
A-B Repeat plays back repeatedly any portion of the tape you specified. Specify by tagging the beginning (point A) and the end (point B) of the portion during playback.

Note
If the record-protect tab is broken, you cannot record on that side.

Recording J

Note
If the record-protect tab is broken, you cannot record on that side.

- Insert a normal (TYPE I) tape.
To record on both sides
Insert the cassette with the side to be first recorded on as the FWD (forward) side*.
* Make sure that "FWD" is displayed. If not, press and hold ■ until "REV" changes to "FWD".
- Press ◀▶•REPEAT on the remote control, press ▶(play)•■(stop).

A-B Repeat
A-B Repeat plays back repeatedly any portion of the tape you specified. Specify by tagging the beginning (point A) and the end (point B) of the portion during playback.

Operation on the main unit
1 Press ◀▶•REPEAT for 2 seconds or more during playback to tag point A. "A" will flash in the display of the main unit.
2 Press ◀▶•REPEAT again to tag point B. "A-B" will flash and the tape will move rapidly to point A. Then "REP" appears in the display and the specified portion is played repeatedly.

To stop the A-B Repeat playback
Press ◀▶•REPEAT on the main unit.
On the remote control, press ◀▶•■.
To reset A-B Repeat
When you want to change a specific portion, stop the A-B Repeat playback and tag point A and point B again.

To prevent a tape from being accidentally recorded over G
Break off the tabs from side A and/or B. To reuse the tape for recording, cover the tab hole with adhesive tape.

Note
• You cannot specify a repeat portion that includes both sides of the tape.
• You cannot specify a repeat portion shorter than 2 seconds.
• After repeated operation, the actual portion that is played back may shift somewhat from the exact portion specified with the tags due to tape slack.

Recording K

Note
If the record-protect tab is broken, you cannot record on that side.

- Insert a normal (TYPE I) tape.
To record on both sides
Insert the cassette with the side to be first recorded on as the FWD (forward) side*.
* Make sure that "FWD" is displayed. If not, press and hold ■ until "REV" changes to "FWD".
- Press ◀▶•REPEAT on the remote control, press ▶(play)•■(stop).

A-B Repeat
A-B Repeat plays back repeatedly any portion of the tape you specified. Specify by tagging the beginning (point A) and the end (point B) of the portion during playback.

Operation on the main unit
1 Press ◀▶•REPEAT for 2 seconds or more during playback to tag point A. "A" will flash in the display of the main unit.
2 Press ◀▶•REPEAT again to tag point B. "A-B" will flash and the tape will move rapidly to point A. Then "REP" appears in the display and the specified portion is played repeatedly.

To stop the A-B Repeat playback
Press ◀▶•REPEAT on the main unit.
On the remote control, press ◀▶•■.
To reset A-B Repeat
When you want to change a specific portion, stop the A-B Repeat playback and tag point A and point B again.

To prevent a tape from being accidentally recorded over G
Break off the tabs from side A and/or B. To reuse the tape for recording, cover the tab hole with adhesive tape.

Note
• You cannot specify a repeat portion that includes both sides of the tape.
• You cannot specify a repeat portion shorter than 2 seconds.
• After repeated operation, the actual portion that is played back may shift somewhat from the exact portion specified with the tags due to tape slack.

Recording L

Note
If the record-protect tab is broken, you cannot record on that side.

- Insert a normal (TYPE I) tape.
To record on both sides
Insert the cassette with the side to be first recorded on as the FWD (forward) side*.
* Make sure that "FWD" is displayed. If not, press and hold ■ until "REV" changes to "FWD".
- Press ◀▶•REPEAT on the remote control, press ▶(play)•■(stop).

A-B Repeat
A-B Repeat plays back repeatedly any portion of the tape you specified. Specify by tagging the beginning (point A) and the end (point B) of the portion during playback.

Operation on the main unit
1 Press ◀▶•REPEAT for 2 seconds or more during playback to tag point A. "A" will flash in the display of the main unit.
2 Press ◀▶•REPEAT again to tag point B. "A-B" will flash and the tape will move rapidly to point A. Then "REP" appears in the display and the specified portion is played repeatedly.

To stop the A-B Repeat playback
Press ◀▶•REPEAT on the main unit.
On the remote control, press ◀▶•■.
To reset A-B Repeat
When you want to change a specific portion, stop the A-B Repeat playback and tag point A and point B again.

To prevent a tape from being accidentally recorded over G
Break off the tabs from side A and/or B. To reuse the tape for recording, cover the tab hole with adhesive tape.

Note
• You cannot specify a repeat portion that includes both sides of the tape.
• You cannot specify a repeat portion shorter than 2 seconds.
• After repeated operation, the actual portion that is played back may shift somewhat from the exact portion specified with the tags due to tape slack.

Recording M

Note
If the record-protect tab is broken, you cannot record on that side.

- Insert a normal (TYPE I) tape.
To record on both sides
Insert the cassette with the side to be first recorded on as the FWD (forward) side*.
* Make sure that "FWD" is displayed. If not, press and hold ■ until "REV" changes to "FWD".
- Press ◀▶•REPEAT on the remote control, press ▶(play)•■(stop).

A-B Repeat
A-B Repeat plays back repeatedly any portion of the tape you specified. Specify by tagging the beginning (point A) and the end (point B) of the portion during playback.

Operation on the main unit
1 Press ◀▶•REPEAT for 2 seconds or more during playback to tag point A. "A" will flash in the display of the main unit.
2 Press ◀▶•REPEAT again to tag point B. "A-B" will flash and the tape will move rapidly to point A. Then "REP" appears in the display and the specified portion is played repeatedly.

To stop the A-B Repeat playback
Press ◀▶•REPEAT on the main unit.
On the remote control, press ◀▶•■.
To reset A-B Repeat
When you want to change a specific portion, stop the A-B Repeat playback and tag point A and point B again.

To prevent a tape from being accidentally recorded over G
Break off the tabs from side A and/or B. To reuse the tape for recording, cover the tab hole with adhesive tape.

Note
• You cannot specify a repeat portion that includes both sides of the tape.
• You cannot specify a repeat portion shorter than 2 seconds.
• After repeated operation, the actual portion that is played back may shift somewhat from the exact portion specified with the tags due to tape slack.

Recording N

Note
If the record-protect tab is broken, you cannot record on that side.

- Insert a normal (TYPE I) tape.
To record on both sides
Insert the cassette with the side to be first recorded on as the FWD (forward) side*.
* Make sure that "FWD" is displayed. If not, press and hold ■ until "REV" changes to "FWD".
- Press ◀▶•REPEAT on the remote control, press ▶(play)•■(stop).

A-B Repeat
A-B Repeat plays back repeatedly any portion of the tape you specified. Specify by tagging the beginning (point A) and the end (point B) of the portion during playback.

Operation on the main unit
1 Press ◀▶•REPEAT for 2 seconds or more during playback to tag point A. "A" will flash in the display of the main unit.
2 Press ◀▶•REPEAT again to tag point B. "A-B" will flash and the tape will move rapidly to point A. Then "REP" appears in the display and the specified portion is played repeatedly.

To stop the A-B Repeat playback
Press ◀▶•REPEAT on the main unit.
On the remote control, press ◀▶•■.
To reset A-B Repeat
When you want to change a specific portion, stop the A-B Repeat playback and tag point A and point B again.

To prevent a tape from being accidentally recorded over G
Break off the tabs from side A and/or B. To reuse the tape for recording, cover the tab hole with adhesive tape.

Note
• You cannot specify a repeat portion that includes both sides of the tape.
• You cannot specify a repeat portion shorter than 2 seconds.
• After repeated operation, the actual portion that is played back may shift somewhat from the exact portion specified with the tags due to tape slack.

Recording O

Note
If the record-protect tab is broken, you cannot record on that side.

- Insert a normal (TYPE I) tape.
To record on both sides
Insert the cassette with the side to be first recorded on as the FWD (forward) side*.
* Make sure that "FWD" is displayed. If not, press and hold ■ until "REV" changes to "FWD".
- Press ◀▶•REPEAT on the remote control, press ▶(play)•■(stop).

A-B Repeat
A-B Repeat plays back repeatedly any portion of the tape you specified. Specify by tagging the beginning (point A) and the end (point B) of the portion during playback.

Operation on the main unit
1 Press ◀▶•REPEAT for 2 seconds or more during playback to tag point A. "A" will flash in the display of the main unit.
2 Press ◀▶•REPEAT again to tag point B. "A-B" will flash and the tape will move rapidly to point A. Then "REP" appears in the display and the specified portion is played repeatedly.

To stop the A-B Repeat playback
Press ◀▶•REPEAT on the main unit.
On the remote control, press ◀▶•■.
To reset A-B Repeat
When you want to change a specific portion, stop the A-B Repeat playback and tag point A and point B again.

To prevent a tape from being accidentally recorded over G
Break off the tabs from side A and/or B. To reuse the tape for recording, cover the tab hole with adhesive tape.

Note
• You cannot specify a repeat portion that includes both sides of the tape.
• You cannot specify a repeat portion shorter than 2 seconds.
• After repeated operation, the actual portion that is played back may shift somewhat from the exact portion specified with the tags due to tape slack.

Recording P

Note
If the record-protect tab is broken, you cannot record on that side.

- Insert a normal (TYPE I) tape.
To record on both sides
Insert the cassette with the side to be first recorded on as the FWD (forward) side*.
* Make sure that "FWD" is displayed. If not, press and hold ■ until "REV" changes to "FWD".
- Press ◀▶•REPEAT on the remote control, press ▶(play)•■(stop).

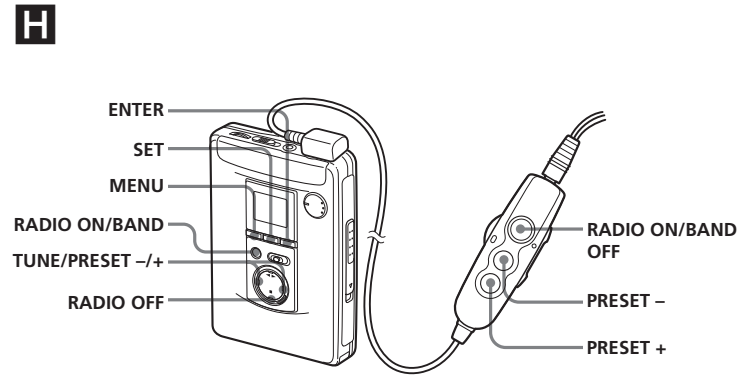
A-B Repeat
A-B Repeat plays back repeatedly any portion of the tape you specified. Specify by tagging the beginning (point A) and the end (point B) of the portion during playback.

Operation on the main unit
1 Press ◀▶•REPEAT for 2 seconds or more during playback to tag point A. "A" will flash in the display of the main unit.
2 Press ◀▶•REPEAT again to tag point B. "A-B" will flash and the tape will move rapidly to point A. Then "REP" appears in the display and the specified portion is played repeatedly.

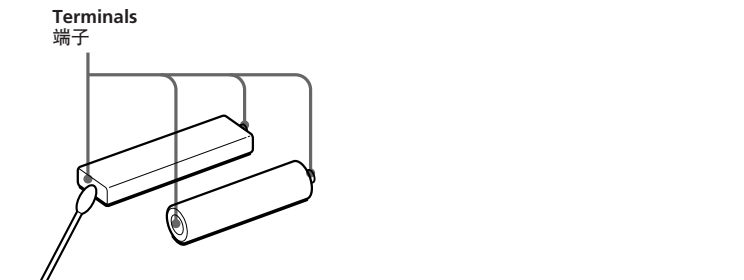
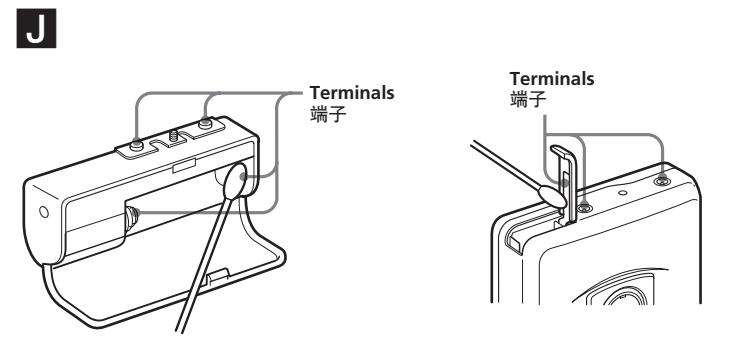
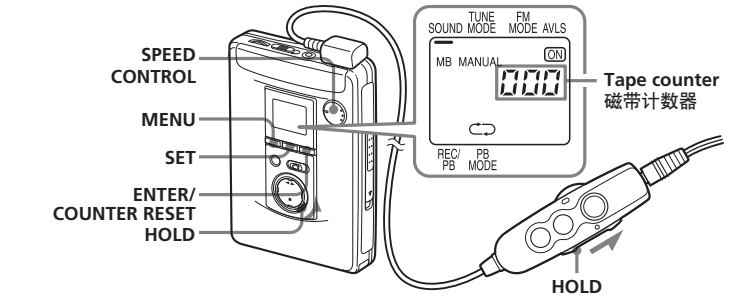
To stop the A-B Repeat playback
Press ◀▶•REPEAT on the main unit.
On the remote control, press ◀▶•■.
To reset A-B Repeat
When you want to change a specific portion, stop the A-B Repeat playback and tag point A and point B again.

To prevent a tape from being accidentally recorded over G
Break off the tabs from side A and/or B. To reuse the tape for recording, cover the tab hole with adhesive tape.

Note
• You cannot specify a repeat portion that includes both sides of the tape.
• You cannot specify a repeat portion shorter than 2 seconds.
• After repeated operation, the actual portion that is played back may shift somewhat from the exact portion specified with the tags due to tape slack.



I



English

Listening to the Radio

- Press RADIO ON/BAND to turn on the radio.
- Press RADIO ON/BAND repeatedly to select AM or FM.
- Press MENU on the main unit repeatedly and set the cursor in the display to TUNE MODE.
- For manual tuning
 - Press SET to choose MANUAL.
 - Press TUNE/PRESET + or - repeatedly to tune in to the desired station. Hold down TUNE/PRESET + or - for a few seconds to scan for stations.

- For preset tuning**
- Press SET to choose PRESET.
 - Press TUNE/PRESET + or - repeatedly to recall the desired preset station. To use preset tuning, press stations first (see "Presetting Radio Stations").

To turn off the radio

- Press RADIO OFF.

To improve the broadcast reception

- For AM: Reorient the unit itself.
 - For FM: Extend the remote control cord (antenna). If the reception is still not good, press MENU repeatedly to set the cursor in the display to FM MODE. Then press SET to choose from "MONO" (monaural), "LOCAL" or none (stereo) for best reception.
- * Excluding European, Saudi Arabian, and Chinese models

To operate from the remote control

- To turn on the radio, press RADIO ON/BAND•OFF for more than 1 second (while the tape is in stop mode only). To select the band, press RADIO ON/BAND•OFF for more than 1 second while the radio is on. To tune in or recall a preset station, press PRESET + or -. To turn off the radio, press RADIO ON/BAND•OFF.

Presetting Radio Stations

You can preset up to 30 stations—20 for FM and 10 for AM (for the JpN area), up to 16 stations—8 for FM and 8 for AM).

* Only if available. See "Receiving Stations Outside Your Country/Region".

Presetting Automatically Scanned Stations

- Press RADIO ON/BAND to turn on the radio.
- Press RADIO ON/BAND repeatedly to select AM or FM.
- Press and hold ENTER for more than 3 seconds. Preset number 1 will flash in the display and the main unit starts scanning the stations from the lower frequencies and stops for about 5 seconds when a station is received.
- If you wish to preset the currently received station, press ENTER while the preset number is flashing. The received station is preset on preset number 1 and the unit starts scanning for the next receivable station.

- Repeat step 4 until all receivable stations are preset.
- To stop scanning**
- Press RADIO OFF. The radio is turned off at the same time.
- Notes**
- If stations are already stored, the preset stations replace the old ones when the above procedure is completed.
 - If stations cannot be preset automatically, preset them manually.

Presetting Radio Stations Manually

- Press RADIO ON/BAND to turn on the radio.
- Press RADIO ON/BAND repeatedly to select AM or FM.
- Press ENTER.
- While the frequency digits are flashing, tune in to a station you wish to store using TUNE/PRESET + or - and press ENTER.

- The preset number will flash in the display.
- While the preset number is flashing, select the preset number you want using TUNE/PRESET + or - and press ENTER.

- Notes**
- If you cannot complete step 4 or 5 while the indicators are flashing, repeat from step 3.
 - If a station is already stored, the new station replaces the old one.

Notes

- If you cannot complete step 4 or 5 while the indicators are flashing, repeat from step 3.
- If a station is already stored, the new station replaces the old one.

Playing the Preset Radio Stations

- Press RADIO ON/BAND to turn on the radio.
- Press RADIO ON/BAND repeatedly to select AM or FM.
- Press MENU repeatedly to set the cursor in the display to TUNE MODE. Then press SET to display "PRESET".
- Press TUNE/PRESET + or -.

To cancel a stored station

- Follow the procedure above and in step 4, select the preset number you want to cancel and then press ENTER. The frequency digits will flash in the display.
- Press and hold TUNE/PRESET + or -. The frequency digit starts running up or down. Keep holding down the button until "----" is displayed.
- Press ENTER while "----" is flashing. A preset number will flash in the display.
- Press ENTER to cancel the stored station.

Scanning the Preset Radio Stations — DAPS (Digital Auto Preset Scanning)

- Press RADIO ON/BAND to turn on the radio.
- Press RADIO ON/BAND repeatedly to select AM or FM.
- Press and hold RADIO ON/BAND for 2 seconds or more.
- Press RADIO ON/BAND again to select the station while the desired preset station is being played.

The preset stations of the selected band will be played for about 5 seconds each. (During DAPS the indicators in the display flash.)

- Press RADIO ON/BAND to turn on the radio.
- Press RADIO ON/BAND repeatedly to select AM or FM.
- Press ENTER.
- While the frequency digits are flashing, tune in to a station you wish to store using TUNE/PRESET + or - and press ENTER.

- The preset number will flash in the display.
- While the preset number is flashing, select the preset number you want using TUNE/PRESET + or - and press ENTER.

Receiving Stations Outside Your Country/Region (Excluding European, Saudi Arabian, and Chinese models)

- Press RADIO ON/BAND to turn on the radio.
- Press ENTER. The frequency digits will flash in the display.

- Press and hold RADIO ON/BAND until "Eur", "USA" or "JpN" flashes.

- Press RADIO ON/BAND repeatedly to select "Eur", "USA" or "JpN" and press ENTER.

- Tune in to and store stations as necessary following the procedure of "Listening to the Radio" and "Presetting Radio Stations".

Area indication and frequency range

Area*	Frequency FM (MHz)	AM(kHz)
Eur	87.5 - 108	531 - 1 602
USA	87.5 - 108	530 - 1 710
JpN	76.0 - 90.0	531 - 1 710

* Eur : European and other countries/regions
USA : USA, Canada, and Central and South America
JpN: Japan

Using the Menu

Adjusting Playback Modes

Press MENU repeatedly to set the cursor in the display to PB MODE. Then press SET to select the desired mode.

To play	Select
both sides repeatedly	
both sides once	
from the FWD side	

Emphasizing Sound

- Press MENU repeatedly to set the cursor in the display to SOUND.
- Press SET repeatedly to select the sound emphasis of your choice.

The indications change as follows:

- RV : Sound Revitalizer Emphasizes treble sound.
- MB : Mega Bass Emphasizes bass sound (moderate effect).
- GRV : Groove Emphasizes bass sound (strong effect).
- no message : normal (no effect)

Notes

- If the sound is distorted with the mode "GRV", turn down the volume of the main unit or select other modes.

Protecting Your Hearing — AVLS (Automatic Volume Limiter System)

The maximum volume is kept down to protect your ears. Press MENU repeatedly in the playback, stop or radio mode to set the cursor in the display to AVLS.

- Press SET to show "AVLS".
- Press SET to show "AVLS".

To cancel the AVLS function

Press SET so that "AVLS" disappears from the display on the main unit.

Using Other Functions

Adjusting the Tape Playback Speed

You can adjust the playback speed using SPEED CONTROL. Turn SPEED CONTROL to: (slow) to play back at a slower speed.

Center position to play back at normal speed. + (fast) to play back at a faster speed.

Note

The SPEED CONTROL works in the playback mode only. Recording will be made independent of this control.

Locking the Controls — HOLD Function

Slide the HOLD switch in the direction of the arrow to lock the controls of the main unit (except SPEED CONTROL) or the remote control.

Using the Tape Counter

The tape counter is displayed on the main unit during playback, recording, fast forward, rewind, CUE, REVIEW and stop (except when the radio is turned on). The number will increase when playing back the FWD side, and decrease when playing back the REV side. To reset the counter to "000", press ENTER/COUNTER RESET.

- Notes**
- The tape counter may show some deviation.
 - The tape counter will not be displayed when the cassette compartment is empty.

Precautions

- The supplied charging stand can be used only with this unit. No other model can be charged using this stand.
- Remove the AC power adaptor from the wall outlet as soon as possible after the rechargeable battery has been charged. Overcharging may damage the rechargeable battery.
- The charging stand and the rechargeable battery may become warm during charging, but this is not a problem.
- Do not tear off the film on the rechargeable battery.
- Use only the supplied charging stand to charge the supplied rechargeable battery.
- Be sure not to short-circuit the battery. When you carry it with you, use the supplied carrying case. If you are not using the case, do not carry the battery with other metallic objects such as keys, rings in your pocket.
- If the rechargeable battery is new or has slightly moistened in water, it may not be charged completely until you use it several times.

Notes

- If the sound is distorted with the mode "GRV", turn down the volume of the main unit or select other modes.

Protecting Your Hearing — AVLS (Automatic Volume Limiter System)

The maximum volume is kept down to protect your ears. Press MENU repeatedly in the playback, stop or radio mode to set the cursor in the display to AVLS.

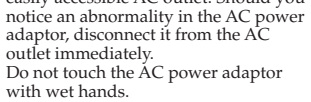
- Press SET to show "AVLS".
- Press SET to show "AVLS".

On batteries

- Do not charge a dry battery.
- Do not carry the dry or rechargeable batteries with coins or other metallic objects. It can generate heat if the positive and negative terminals of the batteries are accidentally contacted by a metallic object.
- When you do not use the main unit for a long time, remove the battery to avoid any damage caused by battery leakage and subsequent corrosion.

On AC power adaptor

- Use only the supplied AC power adaptor (for charging stand) and recommended AC power adaptor (for battery case). Do not use any other AC power adaptor.



- Connect the AC power adaptor to an easily accessible AC outlet. Should you notice an abnormality in the AC power adaptor, disconnect it from the AC outlet immediately.
- Do not touch the AC power adaptor with wet hands.

On handling

- Do not leave the unit in a location near heat sources, or in a place subject to direct sunlight, excessive dust or sand, moisture, rain, mechanical shock, or in a car with its windows closed.
- We do not recommend the use of tape longer than 90 minutes. They are very thin and tend to be stretched easily. This may cause malfunction of the unit or sound deterioration.
- The LCD display may become hard to see or slow down when using the unit at high temperatures (above 40°C/104°F) or at low temperatures (below 0°C/32°F). At room temperature, the display will return to its normal operating condition.
- If the unit has not been used for long, set it in the playback mode to warm up for a few minutes before you start using again.

On the remote control

Use the supplied remote control only with this unit.

On headphones/earphones

Road safety

Do not use headphones/earphones while driving, cycling, or operating any motorized vehicle. It may create a traffic hazard and is illegal in some areas. It can also be potentially dangerous to play your headphones/earphones at high volume while walking, especially at pedestrian crossings. You should exercise extreme caution or discontinue use in potentially hazardous situations.

Preventing hearing damage

Do not use headphones/earphones at high volume. Hearing experts advise against continuous, loud and extended play. If you experience a ringing in your ears, reduce volume or discontinue use.

Caring for others

Keep the volume to a moderate level. This will allow you to hear outside sounds and to be considerate to the people around you.

On maintenance

- Clean the tape head and tape path, using a cotton swab and commercially available cleaning solvent after every 10 hours of use.
- To clean the exterior, use a soft cloth slightly moistened in water. Do not use alcohol, benzine or thinner.
- Clean the headphones/earphones and remote control plugs periodically.
- Clean the battery case terminals (both inside and outside) and the terminals periodically with a cotton swab or soft cloth as illustrated.

Troubleshooting

The sound drops out or comes with excessive noise.

- Clean the headphones/earphones and remote control plugs.

The unit does not operate at all.

- Charge the battery or replace the dry battery with a new one.
- HOLD is activated. Deactivate HOLD.
- Insert a cassette tape.

The volume cannot be turned up.

- If AVLS is on, turn it off.

A beep sounds and recording is not possible when REC is slid.

- If the tab of the tape is broken off, cover the tab hole with adhesive tape.

The display and the operations are not normal.

- Remove the power sources for 15 seconds or more, and then set them again.

The radio and playback operates but recording is not possible.

- This condition may occur when the battery becomes weak. Replace or charge the battery.

Specifications

Radio section

Frequency response
FM: 76.0–90.0 MHz (Japan)
87.5–108 MHz (other countries/regions)
AM: 531–1 710 kHz (Japan)
530–1 710 kHz (North, Central, and South America)
531–1 602 kHz (other countries/regions)

Tape section

Frequency response
Playback: 40–15 000 Hz
Recording/playback: 100–8 000 Hz

Output
Headphones (⌘) jack
Load impedance 8–300 Ω

Input
Microphone (MIC) jack

General

Power requirements
1.5 V
Rechargeable battery
One R6 (size AA) battery

Dimensions (w/h/d)
Approx. 77.1 × 108.0 × 22.5 mm
(3¼ × 4¼ × ¾ inches) excl. projecting parts and controls

Supplied accessories

AC power adaptor AC-ES455K (1),
Battery case (1)
Stereo headphones or earphones with remote control (1), Charging stand (1)
Rechargeable battery (NH-10WM, 1.2 V, 900 mAh (min), Ni-MH) (1)
Rechargeable battery carrying case (1)
Carrying pouch (1)
Stereo microphone (1)

Design and specifications are subject to change without notice.

中文

听收音机

- 按 RADIO ON/BAND 打开收音机。
- 反复按 RADIO ON/BAND 选择 AM 或 FM。
- 反复按主机上的 MENU。将显示器中的光标设为 TUNE MODE。
- 要手动调台时
 - 按 SET 选择 MANUAL。
 - 反复按 TUNE/PRESET + 或 - 调入所要的电台。按住 TUNE/PRESET + 或 - 数秒以扫描电台。

- 要预设电台时
 - 按 SET 选择 PRESET。
 - 反复按 TUNE/PRESET + 或 - 选出所要的预设电台。

- 要关掉收音机时，请按 RADIO OFF 键。

要改善广播接收效果时

- 收听 AM 节目时：调转机器的方位。
- 收听 FM 节目时：请拉长按控器导线（天线）。如果接收效果仍不好，请反复按 MENU 将显示器中的光标设为 FM MODE。然后按 SET 从“MONO”（单耳声）、“LOCAL*”或无（立体声）方式中进行选择以获最佳接收效果。

要从遥控器进行操作时

- 要打开收音机时，请按 RADIO ON/BAND•OFF 1 秒以上（限当录音带处于停止状态时）。
- 要选择波段时，请在打开着收音机时，按下 RADIO ON/BAND•OFF 1 秒以上。
- 要调入或选出预设电台时，按 PRESET + 或 -。

- 要关掉收音机时，请按 RADIO ON/BAND•OFF。

播放预设电台

- 按 RADIO ON/BAND 打开收音机。
- 反复按 RADIO ON/BAND 选择 AM 或 FM。
- 反复按 MENU，将显示器中的光标设定于 TUNE MODE。然后按 SET 以显示“PRESET”。
- 按 TUNE/PRESET + 或 -。

要取消所储存的电台时

- 按照上述方法而在步骤 4 里选择所要取消的预设号，然后按 ENTER。显示器中即闪烁着频率数字。
- 按住 TUNE/PRESET + 或 -。频率数开始增大或减小。按住该键至显示了“----”。
- 当闪烁着“----”时按 ENTER。显示器中即闪烁着预设号。
- 按 ENTER 以取消储存的电台。

预设电台

您可以预设多达 30 个电台—20 个 FM 台，10 个 AM 台。（在 JpN 地区*，最多可以预设 16 个台—8 个 FM 台，8 个 AM 台。）

* 如果可以预设，请参见“接收别的国家/地区的电台”。

自动地预设扫描的电台

- 按 RADIO ON/BAND 打开收音机。
- 反复按 RADIO ON/BAND 选择 AM 或 FM。

3 按 ENTER 3 秒钟以上。

- 预设号 1 将在显示屏上闪烁。主机开始从低频段扫描电台，在接收到电台时停止约 5 秒钟。

- 如果您要预设接收到的电台，请在预设号闪烁着时按 ENTER。

- 接收到电台即被预设于预设号 1，本机将开始扫描下一个可接收的电台。

- 重复步骤 4 直至所有可接收电台均被预设。

停止扫描

- 按 RADIO OFF，收音机将同时关掉电源。

注

- 如果已预设了电台，当完成上述步骤时，新预设的电台将取代原有的电台。
- 步骤 3 里的 DAPS 功能将继续打开着—直到在步骤 4 里已选择了电台为止。

手动预设电台

- 按 RADIO ON/BAND 打开收音机。
- 反复按 RADIO ON/BAND 选择 AM 或 FM。
- 按 ENTER。显示器中即闪烁着频率数字。
- 当频率数字闪烁时，请用 TUNE/PRESET + 或 - 键调入您想存储的电台，按 ENTER。显示器中即将闪烁着预设号。

- 当预设号闪烁着时，请用 TUNE/PRESET + 或 - 选择所要预设号并按 ENTER。

注

- 如果上述指示闪烁时您不能完成步骤 4 或步骤 5，请从步骤 3 开始重复操作。
- 如果已存储有电台，新电台即将取代原有的电台。

地区指示和频率范围

地区*	频率范围 FM (MHz)	AM (kHz)
Eur	87.5 - 108	531 - 1 602
USA	87.5 - 108	530 - 1 710
JpN	76.0 - 90.0	531 - 1 710

* Eur: 欧洲和其他国家/地区
USA: 美国、加拿大和中南美
JpN: 日本

使用项目单

调整收音方式

请反复按 MENU 把显示器中的光标设定于 PB MODE，然后按 SET 以选择所要模式。

要	请选择
反复放双面	
从 FWD 面放一次双面	

扫描预设电台 — DAPS (Digital Auto Preset Scanning)

- 按 RADIO ON/BAND 打开收音机。
- 反复按 RADIO ON/BAND 选择 AM 或 FM。
- 按住 RADIO ON/BAND 两秒以上。

所选波段的预设电台即各播放大约 5 秒。（在 DAPS 当中，显示器中将闪烁着指示灯。）

- 当播放着所要预设电台时，再按一次 RADIO ON/BAND 以选择电台。

注

- 如果没储存电台，DAPS 功能将不起作用。
- 步骤 3 里的 DAPS 功能将继续打开着—直到在步骤 4 里已选择了电台为止。

接收别的国家/地区的电台

- 按 RADIO ON/BAND 打开收音机。
- 反复按 RADIO ON/BAND 选择 AM 或 FM。
- 按 ENTER。显示器中即闪烁着频率数字。
- 当频率数字闪烁时，请用 TUNE/PRESET + 或 - 键调入您想存储的电台，按 ENTER。显示器中即将闪烁着预设号。

- 当预设号闪烁着时，请用 TUNE/PRESET + 或 - 选择所要预设号并按 ENTER。

注

- 如果上述指示闪烁时您不能完成步骤 4 或步骤 5，请从步骤 3 开始重复操作。
- 如果已存储有电台，新电台即将取代原有的电台。

地区指示和频率范围

地区*	频率范围 FM (MHz)	AM (kHz)
Eur	87.5 - 108	531 - 1 602
USA	87.5 - 108	530 - 1 710
JpN	76.0 - 90.0	531 - 1 710

* Eur: 欧洲和其他国家/地区
USA: 美国、加拿大和中南美
JpN: 日本

使用项目单

调整收音方式

请反复按 MENU 把显示器中的光标设定于 PB MODE，然后按 SET 以选择所要模式。

要	请选择
反复放双面	
从 FWD 面放一次双面	

增强声音

- 反复按 MENU 把显示器中的光标设定于 SOUND。
- 反复按 SET 以选择所喜欢的声加强模式。

指示灯改变如下：

- RV : Sound Revitalizer (声音再生器)。
- 增强高音。
- MB : Mega Bass (强低音)。
- GRV : Groove (最佳状态)。
- 增强低音 (中等效果)。
- 无信息：普通 (无效果)。

注

- "GRV" 模式时，如果声音失真了，即请转小主机音量或选其他模式。

保护您的听觉 — AVLS (自动音量限制系统)

限制最大音量以保护听力。在播放、停止或收音模式中，反复按 MENU 把显示器中的光标设为 AVLS。然后按 SET 显示“AVLS”。

要取消 AVLS 功能

按 SET 使“AVLS”从主机显示器中消失。

利用其他功能

调节磁带播放速度

可以使用 SPEED CONTROL 调节播放速度。转动 SPEED CONTROL 到：
- (慢) 以较慢的速度播放。
中央位置以正常速度播放。
+ (快) 以较快的速度播放。

注

- SPEED CONTROL (速度控制) 开关只有在收音模式时起作用。录音将与此开关无关。

锁定控制钮—HOLD 功能

按箭头方向滑动 HOLD 开关以锁定主机 (SPEED CONTROL 除外) 或遥控器控制钮。

要利用磁带计数器时

在收音、录音、快进，倒退，CUE, REVIEW 和停止 (收音机打开时除外) 时，磁带计数器显示在主机上。播放 FWD 面时数字增加，播放 REV 面时数字减少。要将计数器重调为“000”时，请按 ENTER/COUNTER RESET 键。